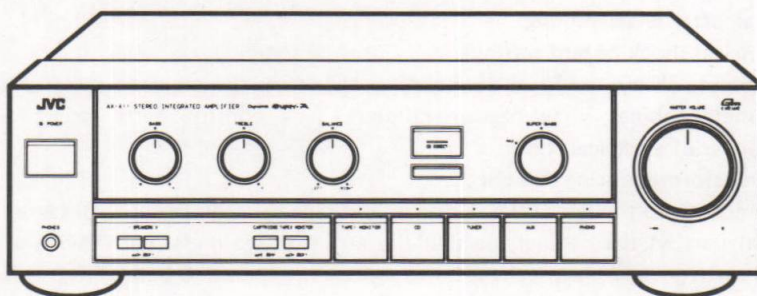


JVC

SERVICE MANUAL

STEREO INTEGRATED AMPLIFIER

MODEL No. **AX-411BK**



Contents

	Page		Page
Safety Precautions.....	1-2	Block Diagram	1-8
Specifications.....	1-3	Internal Block Diagrams of ICs.....	1-9
Front Panel.....	1-4	Connection Diagram	1-10
Operation.....	1-5	Schematic Diagrams	Insertion
Removal Procedures.....	1-6	Printed Circuit Boards.....	Insertion
Adjustment Procedures	1-7	Parts List.....	Separate Volume Insertion

Safety Precautions

1. The design of this product contains special hardware and many circuits and components specially for safety purpose. For continued protection, no changes should be made to the original design unless authorized in writing by the manufacturer. Replacement parts must be identical to those used in the original circuits. Service should be performed by qualified personnel only.
2. Alterations of the design or circuitry of the product should not be made. Any design alterations of the product should not be made. Any design alterations or additions will void the manufacturer's warranty and will further relieve the manufacturer of responsibility for personal injury or property damage resulting therefrom.
3. Many electrical and mechanical parts in the product have special safety-related characteristics. These characteristics are often not evident from visual inspection nor can the protection afforded by them necessarily be obtained by using replacement components rated for higher voltage, wattage, etc. Replacement parts which have these special safety characteristics are identified in the Parts List of Service Manual. Electrical components having such features are identified by shading on the schematics and by (\triangle) on the Parts List in the Service Manual. The use of a substitute replacement which does not have the same safety characteristics as the recommended replacement part shown in the Parts List of Service Manual may create shock, fire, or other hazards.
4. The leads in the products are routed and dressed with ties, clamps, tubings, barriers and the like to be separated from live parts, high temperature parts, moving parts and/or sharp edges for the prevention of electric shock and fire hazard. When service is required, the original lead routing and dress should be observed, and it should be confirmed that they have been returned to normal, after re-assembling.
5. Leakage current check (Electrical shock hazard testing)
After re-assembling the product, always perform an isolation check on the exposed metal parts of the product (antenna terminals, knobs, metal cabinet, screw heads, headphone jack, control shafts, etc.) to be sure the product is safe to operate without danger of electrical shock.

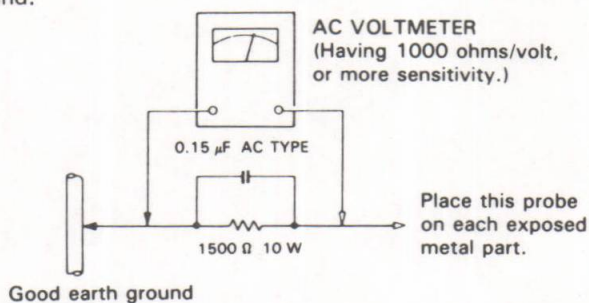
Do not use a line isolation transformer during this check.

- Plug the AC line cord directly into the AC outlet. Using a "Leakage Current Tester", measure the leakage current from each exposed metal part of the cabinet, particularly any exposed metal part having a return path to the chassis, to a known good earth ground. Any leakage current must not exceed 0.5 mA AC (r.m.s.).
- Alternate check method

Plug the AC line cord directly into the AC outlet. Use an AC voltmeter having 1,000 ohms per volt or more sensitivity in the following manner. Connect a 1,500 Ω 10 W resistor paralleled by a 0.15 μ F AC-type capacitor between an exposed metal part and a known good earth ground.

Measure the AC voltage across the resistor with the AC voltmeter.

Move the resistor connection to each exposed metal part, particularly any exposed metal part having a return path to the chassis, and measure the AC voltage across the resistor. Now, reverse the plug in the AC outlet and repeat each measurement. Any voltage measured must not exceed 0.75 V AC (r.m.s.). This corresponds to 0.5 mA AC (r.m.s.).



Warning

1. This equipment has been designed and manufactured to meet international safety standards.
2. It is the legal responsibility of the repairer to ensure that these safety standards are maintained.
3. Repairs must be made in accordance with the relevant safety standards.
4. It is essential that safety critical components are replaced by approved parts.
5. If mains voltage selector is provided, check setting for local voltage.

Specifications

AX-411BK

OVERALL CHARACTERISTICS

Output power:

100 watts per channel into 4 ohms at 1 kHz (DIN).

70 watts per channel into 8 ohms at 1 kHz (DIN).

65 watts per channel, min. RMS, both channels driven, into 8 ohms from 20 Hz to 20 kHz, with no more than 0.007% total harmonic distortion.

65 watts per channel, min. RMS, both channels driven, into 8 ohms at 1 kHz with no more than 0.003% total harmonic distortion. (measured by JVC Audio Analyzer System)

Total harmonic distortion	: 0.007% (20 Hz — 20 kHz, 8 ohms) at 65 watts
Intermodulation distortion	: 0.007% (60 Hz : 7 kHz = 4 : 1, 8 ohms) at 65 watts
Power band width	: 5 Hz — 50 kHz (IHF, 0.05%, 8 ohms both channels driven)
Frequency response	: 5 Hz — 80 kHz +0, -3 dB (8 ohms)
Damping factor	: 90 (1 kHz, 8 ohms)
Input terminals	
Input sensitivity/impedance (1 kHz)	
PHONO (MM)	: 2.5 mV/47 kohms
PHONO (MC)	: 200 μ V/100 ohms
CD/AUX/	: 200 mV/43 kohms
TUNER/TAPE 1, 2	
Signal-to-noise ratio	
PHONO (MM)	: 85 dB ('66 IHF)
PHONO (MC)	: 66 dB ('66 IHF)
CD/AUX/	: 104 dB ('66 IHF)
TUNER/TAPE 1, 2	
PHONO (MM) (REC OUT)	: 82 dB ('78 IHF)
PHONO (MC) (REC OUT)	: 74 dB ('78 IHF)
CD/AUX/	: 76 dB ('78 IHF)
TUNER/TAPE 1, 2 (SP OUT)	
PHONO (MM)	: 67 dB (DIN)
CD/AUX/	: 68 dB (DIN)
TUNER/TAPE 1, 2	
Tone controls	
TREBLE:	+8 \pm 1 dB -8 \pm 1 dB (at 10 kHz)
BASS:	+8 \pm 1 dB -8 \pm 1 dB (at 100 Hz)
SUPER BASS	: +6 dB (at 50 Hz)
(Volume control at -30 dB position)	

EQUALIZER

PHONO overload capacity

PHONO (MM) : 100 mV (0.02% THD)

PHONO (MC) : 8 mV (0.04% THD)

PHONO RIAA deviation

PHONO (MM) : \pm 0.3 dB (20 Hz — 20 kHz)

PHONO (MC) : \pm 0.5 dB (20 Hz — 20 kHz)

Recording output

Output level/impedance

TAPE REC-1, 2 : 200 mV/Maximum 2 kohms

GENERAL

Dimensions

: 435 (W) x 127 (H) x 310 (D) mm
(17-3/16" x 4-15/16" x 12-1/16")

Weight

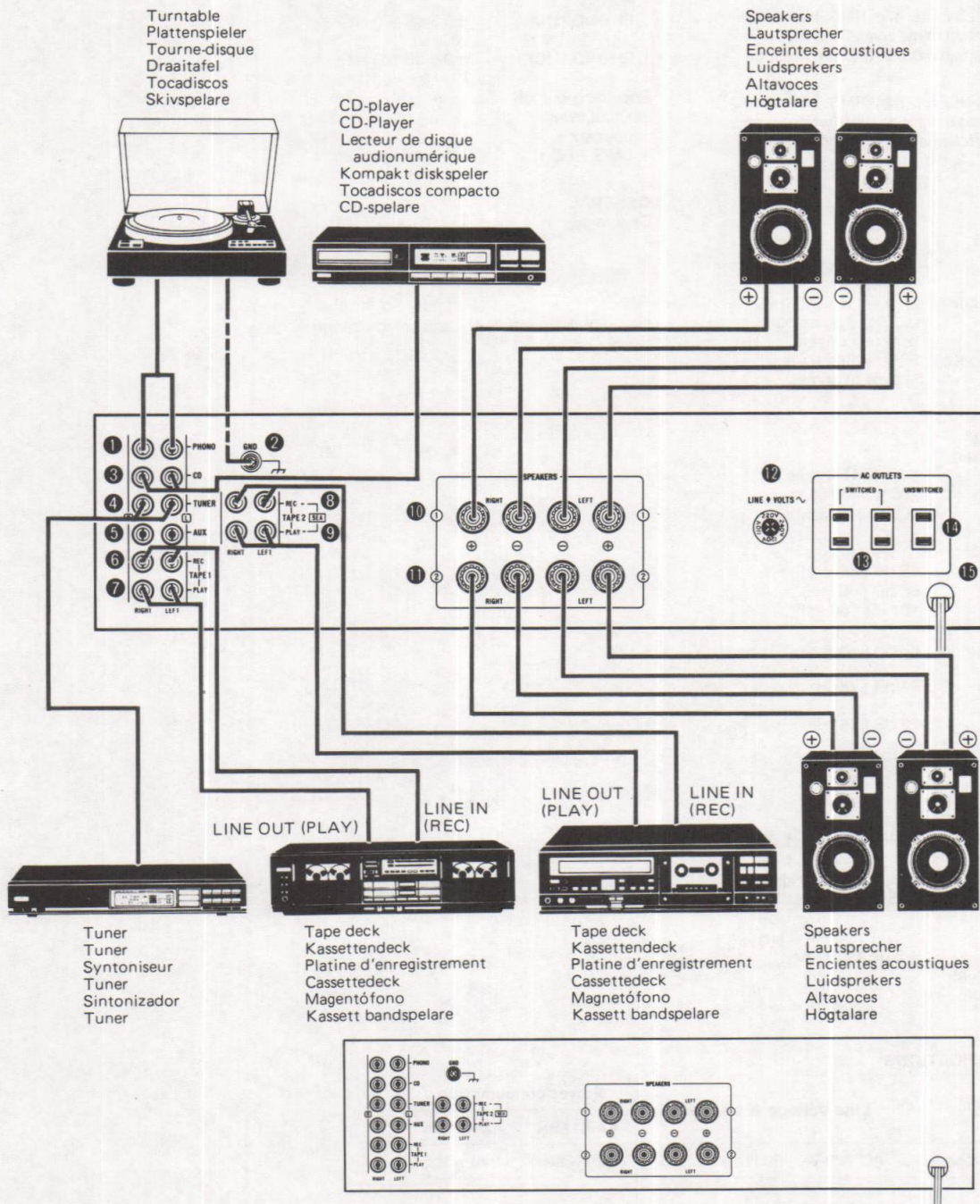
: 7.5 kg (16.5 lbs.)

Design and specifications subject to change without notice.

POWER SPECIFICATIONS

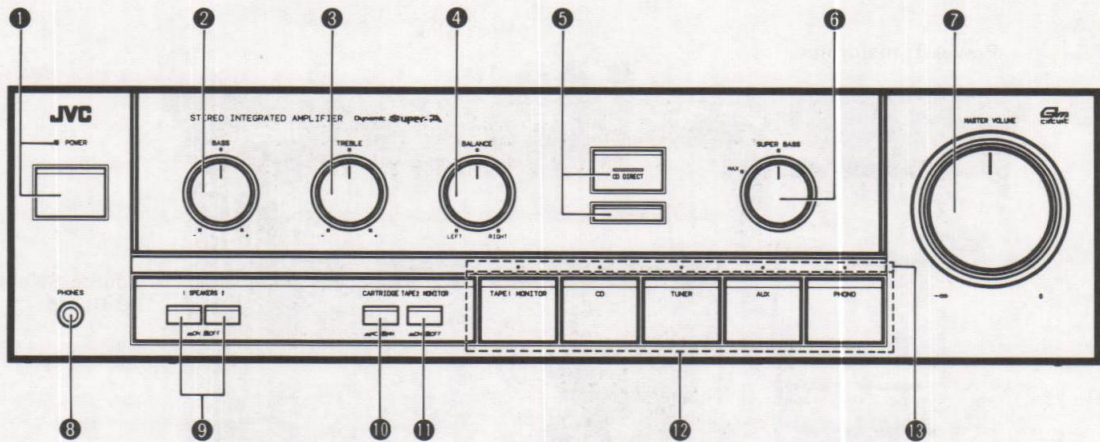
Areas	Line voltage & frequency	Power consumption	
		AX-311BK	AX-411BK
Continental Europe	AC 220 V \sim , 50 Hz	220 watts	240 watts
U.K.	AC 240 V \sim , 50 Hz	510 watts	590 watts
Australia			
Other areas	AC 110/120/220/240 V \sim selectable, 50/60 Hz	220 watts	240 watts

**CONNECTION DIAGRAM
ANSCHLUSSDIAGRAMM
SCHEMA DE RACCORDEMENTS
AANSLUITINGSSCHEMA
DIAGRAMA DE CONEXIONES
ANSLUTNINGSSCHEMA**



Provided on units for Continental Europe, the United Kingdom and Australia.
Vorhanden an Geräten für Kontinentaleuropa, Großbritannien und Australien.
Fourni sur les appareils pour l'Europe Continentale, le Royaume-Uni et l'Australie.
Aanwezig op apparaten voor het Europese Vasteland, Groot-Brittannië en Australië.
Se provee en las unidades para Europa Continental, el Reino Unido y Australia.
För kontinentala Europa, Storbritannien och Australien.

FRONT PANEL

**1 POWER and indicator**

Press this button to turn the power on. To turn the power off, press it again. The indicator lights when the POWER button is pressed to on.

Notes:

- When power is not supplied to this amplifier for 2 — 3 days, the source select button pressed before the power was switched off may be lost when the power is switched on again. If this happens, set the buttons, etc. again.
- An electronic source selector is used in this unit. When the POWER button is first switched on, two or more sources or no source may be selected. Make sure to input the source select data by pressing one of the source selectors.
- If the POWER button is pressed repeatedly to switch on and off too quickly, the same phenomenon as the above will occur.

2 BASS

Turn clockwise to boost bass response and counterclockwise to decrease it.

3 TREBLE

Turn clockwise to boost treble response and counterclockwise to decrease it.

4 BALANCE

Balances the volume between the left and right speakers. Usually set it to the center click position.

5 CD DIRECT and indicator

Press this button to enjoy listening to the CD with good sound quality. The indicator lights and the signal fed from the CD terminals is directly connected to the volume, bypassing the circuits on the way, thus allowing you to enjoy listening to an improved sound quality.

Note:

- While the CD DIRECT button is pressed, the reproduced sound does not change even if the source selector (including TAPE 2 MONITOR) and BALANCE volume are operated, press the CD DIRECT button again to turn the indicator off when using these.

6 SUPER BASS

When sound volume is turned down, the human ear tends to become less aware of bass sound. At low sound levels the SUPER BASS knob can be used to emphasize the bass sound. For ordinary use, the knob should be set to the normal position.



7 MASTER VOLUME

Controls the volume of the speakers and headphones.

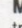
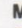
8 PHONES (Headphones jack)

Plug stereo headphones into this jack for private listening. If you want to listen to sound from the headphone only, press the SPEAKERS buttons to "OFF".


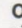
9 SPEAKERS

Press to switch the speakers connected to the SPEAKERS 1 or 2 terminals () and off ().

10 CARTRIDGE

MC (): Press in when using an MC cartridge having an output of less than 0.5 mV.
MM (): Press again when using an MM or MC cartridge having an output of more than 0.5 mV.

11 TAPE 2 MONITOR

ON (): Set to this position to listen to the tape deck connected to the TAPE 2 terminals of this unit. If your tape deck is of the 3-head type, you can monitor the recorded sound while recording by setting this button to ON.
OFF (): Keep this button set to this position, except when you want to listen to the tape deck connected to the TAPE 2 terminals of this unit.

12 Source selector**TAPE 1 MONITOR**

Press to listen to a tape deck connected to the TAPE 1 terminals.

CD

Press to listen to the source connected to the CD terminals.

TUNER

Press to listen to radio broadcasts by a tuner connected to the TUNER terminals.

AUX

Press to listen to the source connected to the AUX terminals.

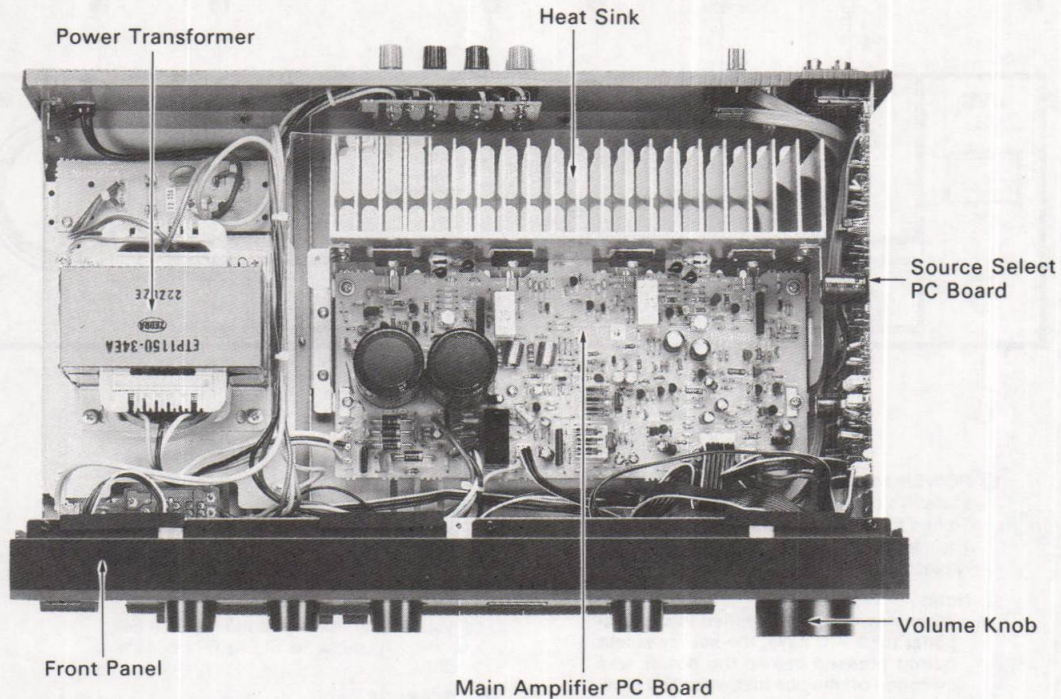
PHONO

Press to listen to records played by a turntable connected to the PHONO terminals.

13 Source indicator

The indicator corresponding to the source select button pressed lights.

Removal Procedures



■ Removing the Top Cover

1. Remove six screws.
2. Remove the top cover by lifting up its rear section and pulling it backward while holding it on incline.

■ Removing the Front Panel

1. Remove the top cover.
2. Pull out the volume knob.
3. Remove three plastic rivets on the upper part of the front panel and three screws from the lower part.

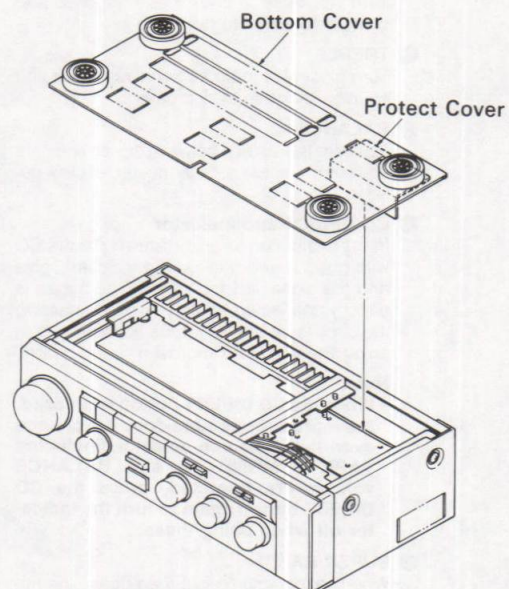
■ Removing the Bottom Cover

1. Remove 17 screws fixing the bottom cover.

Note : When installing the bottom cover, properly insert the protect cover between the power transformer and the power primary PC board as shown in the figure at right.

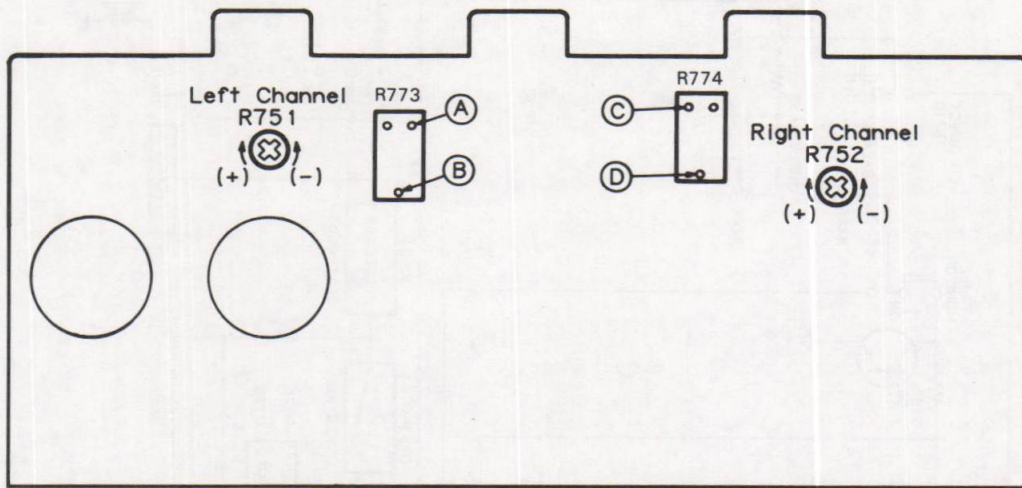
■ Removing the Power Transistors

1. Remove the top cover.
2. Remove the bottom cover.
3. Remove the retaining screw from the defective power transistor and replace it.



Adjustment Procedures

■ Power Amplifier Idling Adjustment

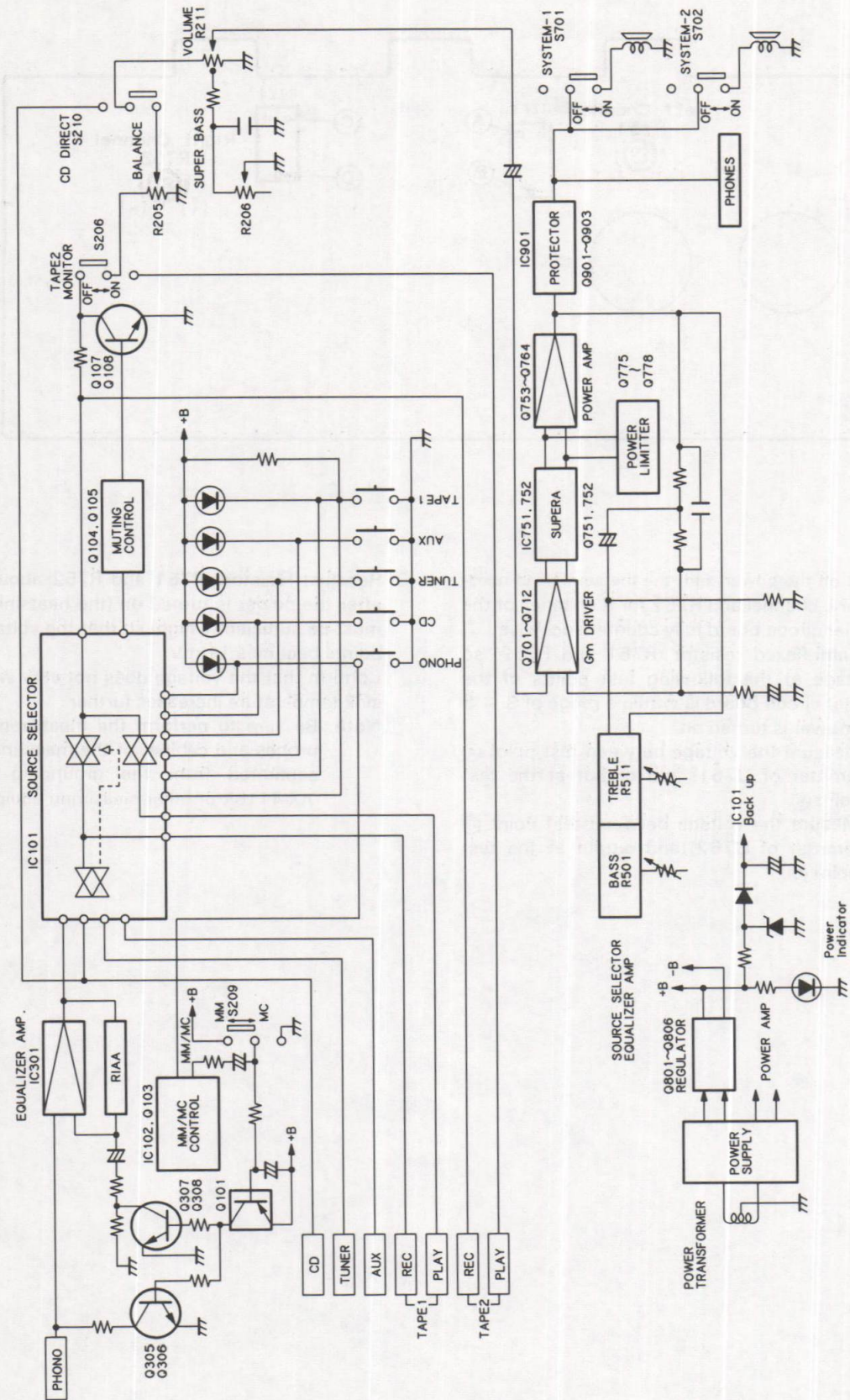


1. Before turning on the power, turn the the semi-fixed resistors (R751 for L channel and R752 for R channel) of the power amplifier circuit board fully counterclockwise.
2. Adjust the semi-fixed resistor (R751 and R752) so that the voltage at the following test points of the power amplifier circuit board is within a range of 3 ~ 5 mV after the power is turned on.
 - L channel: Measure the voltage between test point ① (emitter of Q761) and output at the test point ②.
 - R channel: Measure the voltage between test point ③ (emitter of Q762) and output at the test point ④.

3. Readjust resistors R751 and R752 about 10 minutes after the power is turned on (the heatsink temperature must be sufficiently high) so that the voltage at the test points becomes 11 mV. Confirm that the voltage does not vary when the heat-sink temperature increases further.

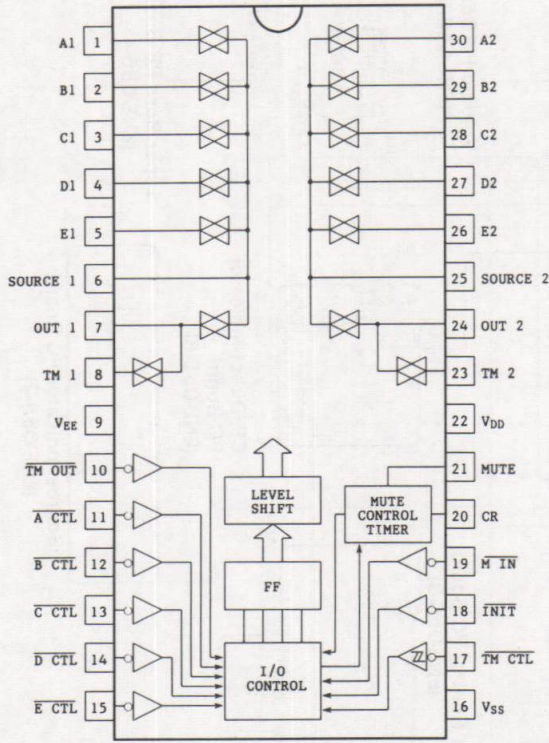
Note: Be sure to perform the measurement with the probes and cabinet of the measuring equipment separated from the grounding terminals of AX-411BK or other measuring equipment.

Block Diagram

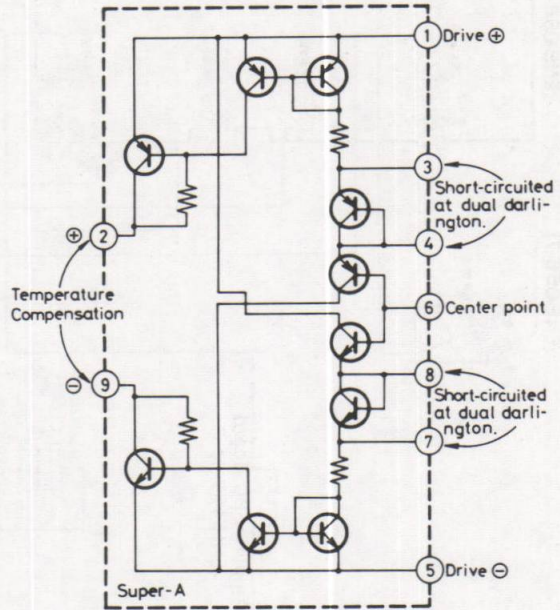


Internal Block Diagrams of ICs

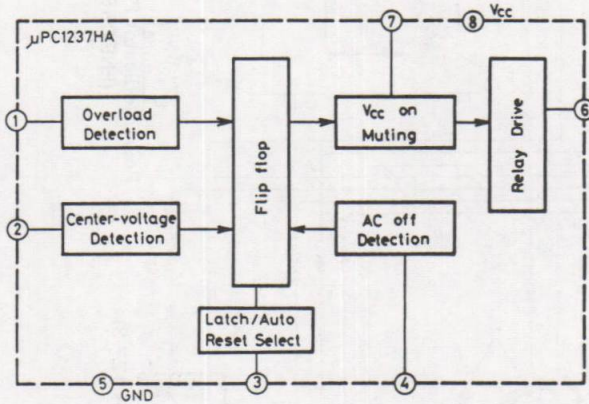
■ LC7818 (IC101): Analog Switch



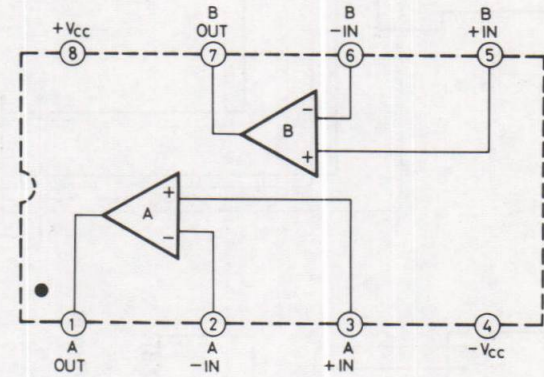
■ VC5022 [X, Y] (IC751, IC752): Super-A



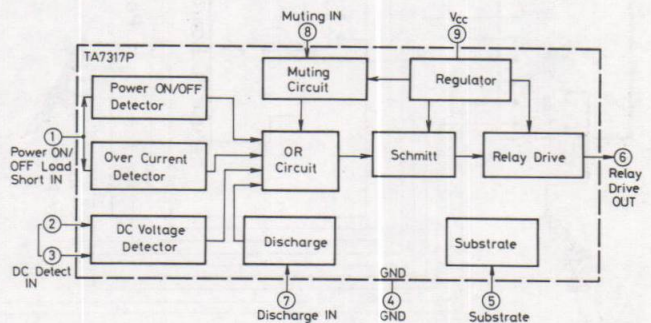
■ μ PC1237HA (IC901): Relay Driver



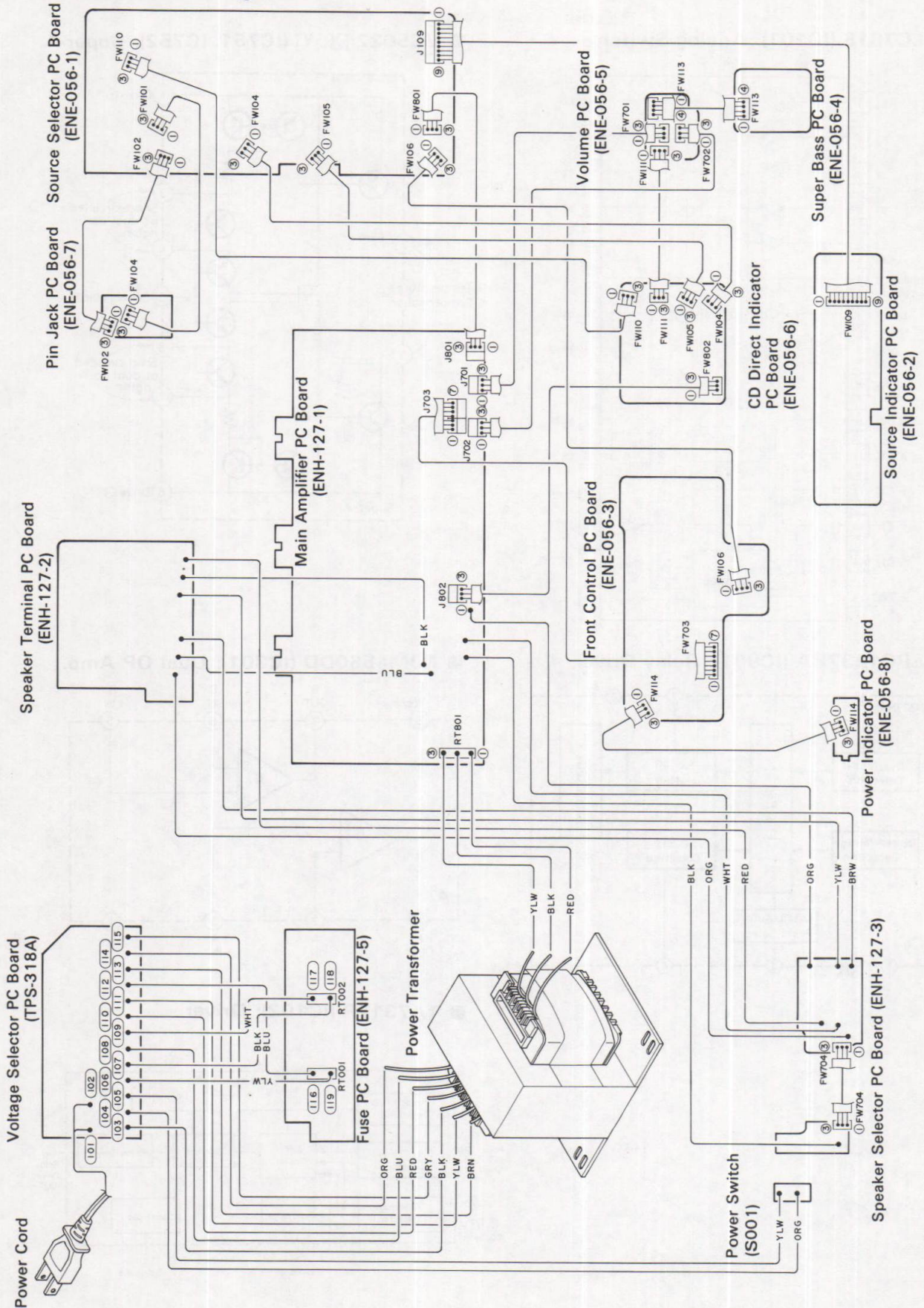
■ NJM4560DD (IC301): Dual OP Amp.



■ TA7317P (IC102): Driver



Connection Diagram



- MEMO -

JVC

MEMO

JVC

VICTOR COMPANY OF JAPAN LIMITED
AUDIO PRODUCTS DIVISION, YAMATO PLANT, 1644, SHIMOTSURUMA, YAMATO-SHI, KANAGAWA-KEN, 242, JAPAN



PARTS LIST

Contents

Exploded View and Parts List.....	2-3
Printed Circuit Board Ass'y and Parts List.....	2-6
■ ENH-127 □ Main Amplifier PC Board Ass'y.....	2-6
■ TPS-318 [A] Voltage Selector PC Board Ass'y	2-9
■ ENE-056 □ Source Selector PC Board Ass'y.....	2-10
Accessories List.....	2-12
Packing Materials and Part Numbers.....	2-13

PARTS LIST

Contents

Exploded view and parts list	1-1
Parts list	1-2
Parts list (Accessories)	1-3
Parts list (Optional accessories)	1-4
Parts list (Replacement parts)	1-5
Parts list (Consumables)	1-6
Parts list (Tools)	1-7
Parts list (Spare parts)	1-8
Parts list (Spare parts)	1-9
Parts list (Spare parts)	1-10

Note (1)

PC Board Ass'y	Designated Areas
ENH-127 [E]	Other Countries
ENH-127 [F]	Australia, Continental Europe
ENH-127 [G]	West Germany
ENH-127 [H] BS	the U.K.

Transistors

ITEM	PART NUMBER	DESCRIPTION	AREA	
			MAKER	
Q701	2SC2240(A,B)	SILICON	TOSHIBA	
Q702	2SC2240(A,B)	SILICON	TOSHIBA	
Q703	2SC2240(A,B)	SILICON	TOSHIBA	
Q704	2SC2240(A,B)	SILICON	TOSHIBA	
Q705	2SA970(GR,BL)	SILICON	TOSHIBA	
Q706	2SA970(GR,BL)	SILICON	TOSHIBA	
Q707	2SA970(GR,BL)	SILICON	TOSHIBA	
Q708	2SA970(GR,BL)	SILICON	TOSHIBA	
Q709	2SA933LN(R,S)	SILICON	ROHM	
Q710	2SA933LN(R,S)	SILICON	ROHM	
Q711	2SC2240(GR,BL)	SILICON	TOSHIBA	
Q712	2SC2240(GR,BL)	SILICON	TOSHIBA	
Q751	2SD636(Q,R)	SILICON	MATSUSHITA	
Q752	2SD636(Q,R)	SILICON	MATSUSHITA	
Q753	2SC2240(BL)	SILICON	TOSHIBA	
Q754	2SC2240(BL)	SILICON	TOSHIBA	
Q755	2SA970(BL)	SILICON	TOSHIBA	
Q756	2SA970(BL)	SILICON	TOSHIBA	
Q757	2SC2235(O,Y)	SILICON	TOSHIBA	
Q758	2SC2235(O,Y)	SILICON	TOSHIBA	
Q759	2SA965(O,Y)	SILICON	TOSHIBA	
Q760	2SA965(O,Y)	SILICON	TOSHIBA	
Q761	2SD2155LB(R,O)	SILICON	TOSHIBA	
Q762	2SD2155LB(R,O)	SILICON	TOSHIBA	
Q763	2SB1429LB(R,O)	SILICON	TOSHIBA	
Q764	2SB1429LB(R,O)	SILICON	TOSHIBA	
Q775	2SC1740S(R,S)	SILICON	ROHM	
Q776	2SC1740S(R,S)	SILICON	ROHM	
Q777	2SA933S(R,S)	SILICON	ROHM	
Q778	2SA933S(R,S)	SILICON	ROHM	
Q801	2SD2061(F,G)	SILICON	ROHM	
Q802	2SB1187(F,G)	SILICON	ROHM	
Q803	2SK246(GR)	F.E.T	TOSHIBA	
Q804	2SK246(GR)	F.E.T	TOSHIBA	
Q805	2SA933S(R,S)	SILICON	ROHM	
Q806	2SC3068	SILICON	SANYO	
Q901	2SC2389(S,E)	SILICON	ROHM	
Q902	2SC2389(S,E)	SILICON	ROHM	
Q903	2SA564A(R,S)	SILICON	MATSUSHITA	

△ : SAFETY PARTS

I.C.s

ITEM	PART NUMBER	DESCRIPTION	AREA	
			MAKER	
IC751	VC5022(X,Y)	I.C.	ROHM	
IC752	VC5022(X,Y)	I.C.	ROHM	
IC901	UPC1237HA	I.C.	RYOUSAN	

△ : SAFETY PARTS

Diodes

ITEM	PART NUMBER	DESCRIPTION	AREA	
			MAKER	
D701	1SS133	SILICON	ROHM	
D702	1SS133	SILICON	ROHM	
D703	1SS133	SILICON	ROHM	
D704	1SS133	SILICON	ROHM	
D751	1SS133	SILICON	ROHM	
D752	1SS133	SILICON	ROHM	
D761	1SS133	SILICON	ROHM	
D762	1SS133	SILICON	ROHM	
D763	1SS133	SILICON	ROHM	
D764	1SS133	SILICON	ROHM	
D801	30D2FC	SILICON	NIHONINTER	E
D801	30D2FC	SILICON	NIHONINTER	F
D801	30DF2SFC	SILICON	NIHONINTER	G
D801	30D2FC	SILICON	NIHONINTER	HBS
D802	30D2FC	SILICON	NIHONINTER	E

Diodes

ITEM	PART NUMBER	DESCRIPTION	AREA	
			MAKER	
D802	30D2FC	SILICON	NIHONINTER	F
D802	30DF2SFC	SILICON	NIHONINTER	G
D802	30D2FC	SILICON	NIHONINTER	HBS
D803	30D2FC	SILICON	NIHONINTER	E
D803	30D2FC	SILICON	NIHONINTER	F
D803	30DF2SFC	SILICON	NIHONINTER	G
D803	30D2FC	SILICON	NIHONINTER	HBS
D804	30D2FC	SILICON	NIHONINTER	E
D804	30D2FC	SILICON	NIHONINTER	F
D804	30DF2SFC	SILICON	NIHONINTER	G
D804	30D2FC	SILICON	NIHONINTER	HBS
D805	MTZ15JC	SILICON	NIHONINTER	F
D807	MTZ13JC	ZENER	ROHM	
D808	MTZ13JC	ZENER	ROHM	
D809	MTZ18JC	ZENER	ROHM	
D810	MTZ18JC	ZENER	ROHM	
D811	MTZ18JC	ZENER	ROHM	
D812	ERA15-02L19	SILICON	KYODOU	
D813	1SS133	SILICON	ROHM	
D901	1SS133	SILICON	ROHM	
D902	1SS133	SILICON	ROHM	
D903	1SS133	SILICON	ROHM	

△ : SAFETY PARTS

Capacitors

ITEM	PART NUMBER	DESCRIPTION	AREA	
			MAKER	
C001	QCZ9019-472	4700PF	CERAMIC	F
C001	QCZ9019-472	4700PF	CERAMIC	G
C001	QCZ9019-472BS	4700PF	CERAMIC	HBS
C701	EETB2AM-106E	10MF 100V	ELECTRO	
C702	EETB2AM-106E	10MF 100V	ELECTRO	
C703	QCS21HJ-101	100PF 50V	CERAMIC	
C704	QCS21HJ-101	100PF 50V	CERAMIC	
C707	QFN81HK-332	3300PF 50V	MYLAR	
C708	QFN81HK-332	3300PF 50V	MYLAR	
C709	QCS21HJ-100	10PF 50V	CERAMIC	
C710	QCS21HJ-100	10PF 50V	CERAMIC	
C713	QEN51HM-475	4.7MF 50V	NON POLE	
C714	QEN51HM-475	4.7MF 50V	NON POLE	
C715	QCS21HJ-330	33PF 50V	CERAMIC	
C716	QCS21HJ-330	33PF 50V	CERAMIC	
C717	QCS21HJ-330	33PF 50V	CERAMIC	
C718	QCS21HJ-330	33PF 50V	CERAMIC	
C719	QCS21HJ-220	22PF 50V	CERAMIC	
C720	QCS21HJ-220	22PF 50V	CERAMIC	
C723	QETB1CM-476	47MF 16V	ELECTRO	
C724	QETB1CM-476	47MF 16V	ELECTRO	
C751	QCF21HP-103	0.01MF 50V	CERAMIC	
C752	QCF21HP-103	0.01MF 50V	CERAMIC	
C753	QCF21HP-103	0.01MF 50V	CERAMIC	
C754	QCF21HP-103	0.01MF 50V	CERAMIC	
C755	QCS32HJ-680	68PF 500V	CERAMIC	
C756	QCS32HJ-680	68PF 500V	CERAMIC	
C757	QCS32HJ-680	68PF 500V	CERAMIC	
C758	QCS32HJ-680	68PF 500V	CERAMIC	
C761	QFN81HK-223	0.022MF 50V	MYLAR	G
C762	QFN81HK-223	0.022MF 50V	MYLAR	G
C763	QFN81HK-223	0.022MF 50V	MYLAR	G
C764	QFN81HK-223	0.022MF 50V	MYLAR	G
C765	QFN81HK-104	0.1MF 50V	MYLAR	
C766	QFN81HK-104	0.1MF 50V	MYLAR	
C767	QFN81HK-104	0.1MF 50V	MYLAR	
C768	QFN81HK-104	0.1MF 50V	MYLAR	
C769	QCF21HP-222	2200PF 50V	CERAMIC	G
C770	QCF21HP-222	2200PF 50V	CERAMIC	G
C771	QFN81HK-223	0.022MF 50V	MYLAR	G
C772	QFN81HK-223	0.022MF 50V	MYLAR	G
C801	EEW6304-109E	10000MF 63V	ELECTRO	
C802	EEW6304-109E	10000MF 63V	ELECTRO	
C803	QETB1HM-476	47MF 50V	ELECTRO	
C804	QETB1HM-476	47MF 50V	ELECTRO	
C805	QCS21HJ-101	100PF 50V	CERAMIC	
C809	QETB1EM-476	47MF 25V	ELECTRO	
C810	QETB1EM-476	47MF 25V	ELECTRO	
C811	QETB1EM-106	10MF 25V	ELECTRO	
C812	QFN32AK-472	4700PF 100V	MYLAR	G
C813	QETB1JM-107	100MF 63V	ELECTRO	
C814	QETB1JM-107	100MF 63V	ELECTRO	
C815	QFH42EK-104	0.1MF 250V	M.MYLAR	
C816	QCE22HP-103A	0.01MF 500V	CERAMIC	
C817	QFN82AK-472	4700PF 100V	MYLAR	G
C818	QFN82AK-104	0.1MF 100V	MYLAR	G
C819	QETB1HM-105	1MF 50V	ELECTRO	
C901	QETB1AM-227	220MF 10V	ELECTRO	
C902	QETB1CM-226	22MF 16V	ELECTRO	
C903	QETB1HM-475	4.7MF 50V	ELECTRO	
C904	QETB1HM-226	22MF 50V	ELECTRO	
C905	QETB1HM-105	1MF 50V	ELECTRO	

△ : SAFETY PARTS

Resistors

ITEM	PART NUMBER	DESCRIPTION	AREA
R701	QRD167J-222	2.2K 1/6W CARBON	
R702	QRD167J-222	2.2K 1/6W CARBON	
R703	QRD167J-104	100K 1/6W CARBON	
R704	QRD167J-104	100K 1/6W CARBON	
R705	QRD167J-202	2K 1/6W CARBON	
R706	QRD167J-202	2K 1/6W CARBON	
R707	QRD167J-202	2K 1/6W CARBON	
R708	QRD167J-202	2K 1/6W CARBON	
R709	QRD167J-103	10K 1/6W CARBON	
R710	QRD167J-103	10K 1/6W CARBON	
R711	QRD167J-101	100 1/6W CARBON	
R712	QRD167J-101	100 1/6W CARBON	
R713	QRD14CJ-911S	910 1/4W UNF. CARBON	
R714	QRD14CJ-911S	910 1/4W UNF. CARBON	
R715	QRD167J-163	16K 1/6W CARBON	
R716	QRD167J-163	16K 1/6W CARBON	
R717	QRD167J-823	82K 1/6W CARBON	
R718	QRD167J-823	82K 1/6W CARBON	
R719	QRD14CJ-121S	120 1/4W UNF. CARBON	
R720	QRD14CJ-121S	120 1/4W UNF. CARBON	
R721	QRD125J-822	8.2K 1/2W UNF. CARBON	
R722	QRD125J-822	8.2K 1/2W UNF. CARBON	
R725	QRD167J-391	390 1/6W CARBON	
R726	QRD167J-391	390 1/6W CARBON	
R727	QRD167J-152	1.5K 1/6W CARBON	
R728	QRD167J-152	1.5K 1/6W CARBON	
R729	QRD167J-333	33K 1/6W CARBON	
R730	QRD167J-333	33K 1/6W CARBON	
R731	QRD167J-391	390 1/6W CARBON	
R732	QRD167J-391	390 1/6W CARBON	
R733	QRD167J-152	1.5K 1/6W CARBON	
R734	QRD167J-152	1.5K 1/6W CARBON	
R735	QRG01CJ-392A	3.9K 1W O.M.FILM	
R741	QRG01CJ-331A	330 1W O.M.FILM	
R742	QRG01CJ-331A	330 1W O.M.FILM	
R743	QRD167J-104	100K 1/6W CARBON	
R744	QRD167J-104	100K 1/6W CARBON	
R745	QRZ0077-4R7S	4.7 1/4W UNF. CARBON	G
R746	QRZ0077-4R7S	4.7 1/4W UNF. CARBON	G
R747	QRZ0077-4R7S	4.7 1/4W UNF. CARBON	G
R748	QRZ0077-4R7S	4.7 1/4W UNF. CARBON	G
R751	QVPE601-501	500 0.15W VARIABLE	
R752	QVPE601-501	500 0.15W VARIABLE	
R753	QRD167J-101	100 1/6W CARBON	
R754	QRD167J-101	100 1/6W CARBON	
R755	ERT-D2WFL351S	350 1/4W THERMISTOR	
R756	ERT-D2WFL351S	350 1/4W THERMISTOR	
R757	QRD167J-471	470 1/6W CARBON	
R758	QRD167J-471	470 1/6W CARBON	
R759	QRD167J-391	390 1/6W CARBON	
R760	QRD167J-391	390 1/6W CARBON	
R761	ERT-D2WHL202S	2K 1/4W THERMISTOR	
R762	ERT-D2WHL202S	2K 1/4W THERMISTOR	
R765	QRZ0077-272	2.7K 1/4W FUSIBLE	
R766	QRZ0077-272	2.7K 1/4W FUSIBLE	
R767	QRZ0077-471	470 1/4W FUSIBLE	
R768	QRZ0077-471	470 1/4W FUSIBLE	
R769	QRZ0077-100	10 1/4W FUSIBLE	
R770	QRZ0077-100	10 1/4W FUSIBLE	
R771	QRZ0077-100	10 1/4W FUSIBLE	
R772	QRZ0077-100	10 1/4W FUSIBLE	
R773	ERF032K-R22	0.22 3W CEMENT	
R774	ERF032K-R22	0.22 3W CEMENT	
R775	QRG01CJ-100A	10 1W O.M.FILM	
R776	QRG01CJ-100A	10 1W O.M.FILM	
R777	QRD125J-101	100 1/2W UNF. CARBON	G
R777	QRD125J-330	33 1/2W UNF. CARBON	E
R777	QRD125J-330	33 1/2W UNF. CARBON	F
R777	QRD125J-330	33 1/2W UNF. CARBON	HBS
R778	QRD125J-101	100 1/2W UNF. CARBON	G
R778	QRD125J-330	33 1/2W UNF. CARBON	E
R778	QRD125J-330	33 1/2W UNF. CARBON	F
R778	QRD125J-330	33 1/2W UNF. CARBON	HBS
R791	QRD167J-621	620 1/6W CARBON	
R792	QRD167J-621	620 1/6W CARBON	
R793	QRD167J-621	620 1/6W CARBON	
R794	QRD167J-621	620 1/6W CARBON	
R795	QRD167J-151	150 1/6W CARBON	
R796	QRD167J-151	150 1/6W CARBON	
R797	QRD167J-151	150 1/6W CARBON	

Resistors

ITEM	PART NUMBER	DESCRIPTION	AREA
R798	QRD167J-151	150 1/6W CARBON	
R801	QRZ0077-330	33 1/4W FUSIBLE	
R802	QRZ0077-330	33 1/4W FUSIBLE	
R803	QRD167J-223	22K 1/6W CARBON	
R804	QRD167J-203	20K 1/6W CARBON	
R811	QRZ0077-330	33 1/4W FUSIBLE	
R812	QRZ0077-330	33 1/4W FUSIBLE	
R813	QRD167J-123	12K 1/6W CARBON	
R814	QRD167J-563	56K 1/6W CARBON	
R815	QRD167J-221	220 1/6W CARBON	
R816	QRD167J-393	39K 1/6W CARBON	
R901	QRD167J-272	2.7K 1/6W CARBON	
R902	QRD167J-272	2.7K 1/6W CARBON	
R903	QRD167J-153	15K 1/6W CARBON	
R904	QRD167J-153	15K 1/6W CARBON	
R905	QRD167J-104	100K 1/6W CARBON	
R906	QRD167J-823	82K 1/6W CARBON	
R907	QRD167J-223	22K 1/6W CARBON	
R908	QRD167J-223	22K 1/6W CARBON	
R909	QRD167J-103	10K 1/6W CARBON	
R911	QRD167J-473	47K 1/6W CARBON	
R912	QRD167J-562	5.6K 1/6W CARBON	
R916	QRD167J-103	10K 1/6W CARBON	
R917	QRD167J-103	10K 1/6W CARBON	
R918	QRD167J-274	270K 1/6W CARBON	
R919	QRD167J-332	3.3K 1/6W CARBON	
R920	QRD167J-393	39K 1/6W CARBON	
R921	QRD167J-153	15K 1/6W CARBON	
R923	QRD167J-101	100 1/6W CARBON	
R924	QRG02CJ-122A	1.2K 2W O.M.FILM	
R925	QRZ0077-100	10 1/4W FUSIBLE	

Δ : SAFETY PARTS

Others

ITEM	PART NUMBER	DESCRIPTION	AREA
	EMG7331-002U	FUSE CLIP	
	EMG7331-002	FUSE CLIP	
	E11943-002	CIRCUIT BOARD	E
	E11943-002	CIRCUIT BOARD	F
	E11943-002	CIRCUIT BOARD	G
	E11943-002BS	CIRCUIT BOARD	HBS
	E300209-030	HEAT SINK	
	E305804-001	INSTRUCTION BOOK	
	E305805-001	INSTRUCTION BOOK	
	E33754-001	TIE BAND	
	E65508-002	TAB	F
	E65508-002	TAB	G
	E65508-002	TAB	HBS
	E70945-H25	HEAT SINK	
	E73525-003	SCREW	
	GBSB3008CC	SCREW	
	SBSB3008CC	SCREW	
	SBSB3008CC	SCREW	
J701	EMV7122-003	CONNECTOR	
J702	EMV7122-003	CONNECTOR	
J751	EMB00TP-801C	SPEAKER TERMINAL	
J752	EMB00TP-801C	SPEAKER TERMINAL	
J753	QMS6A40-021	HEADPHONE JACK	
J801	EMV7122-003	CONNECTOR	
J802	EMV7122-003	CONNECTOR	
L701	EQL0001-1R0	INDUCTOR	
L702	EQL0001-1R0	INDUCTOR	
S701	QST4231-E04	PUSH SWITCH	
S702	QST4231-E04	PUSH SWITCH	
EP001	E70859-001	EARTH PLATE	G
EP003	E70859-001	EARTH PLATE	
FW704	EWR33B-08SST	FLAT WIRE	
J703	EMV7122-003	CONNECTOR	
J704	EMV7122-004	CONNECTOR	
RT001	E67764-202	WRAPPING TERMINAL	E

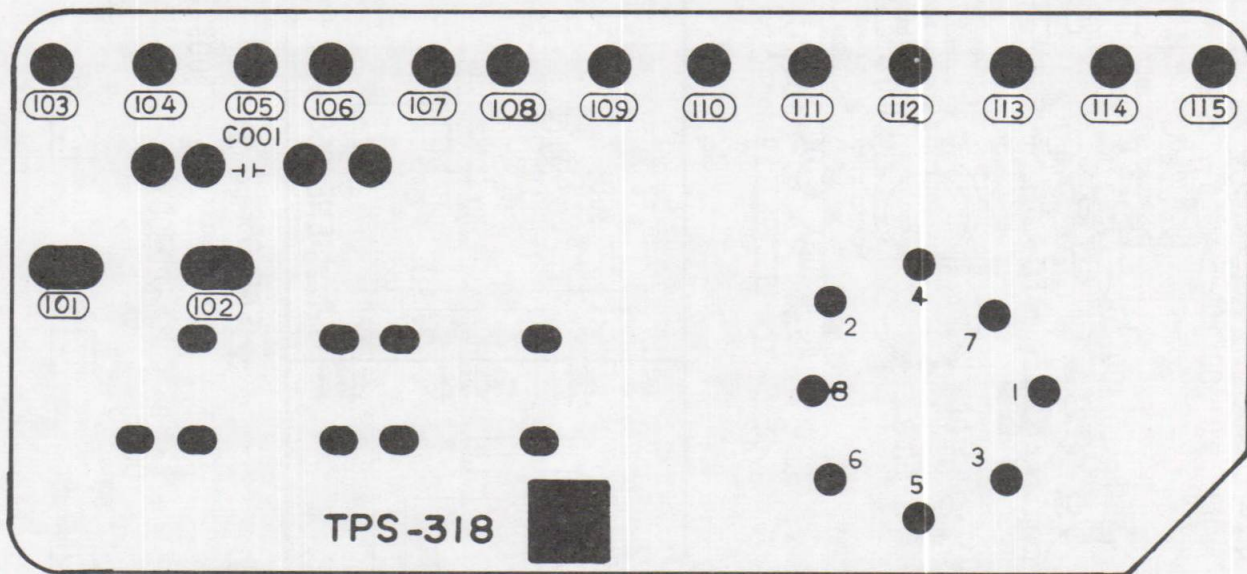
Others

△	ITEM	PART NUMBER	DESCRIPTION	AREA
	RT002	E67764-202	WRAPPING TERMINAL	E
	RT003	E67764-203	WRAPPING TERMINAL	F
	RT003	E67764-203	WRAPPING TERMINAL	G
	RT003	E67764-203	WRAPPING TERMINAL	HBS
	RT004	E67764-202	WRAPPING TERMINAL	F
	RT004	E67764-202	WRAPPING TERMINAL	G
	RT004	E67764-202	WRAPPING TERMINAL	HBS
	RT801	E67764-103	WRAPPING TERMINAL	
	RY901	ESK5024-218	RELAY	

△ : SAFETY PARTS

■ TPS-318 A Voltage Selector PC Board Ass'y

(Except Australia, Continental Europe, West Germany, the U.K.)



Capacitors

△	ITEM	PART NUMBER	DESCRIPTION	AREA
	C001	QC29018-103	0.01MF CERAMIC	

△ : SAFETY PARTS

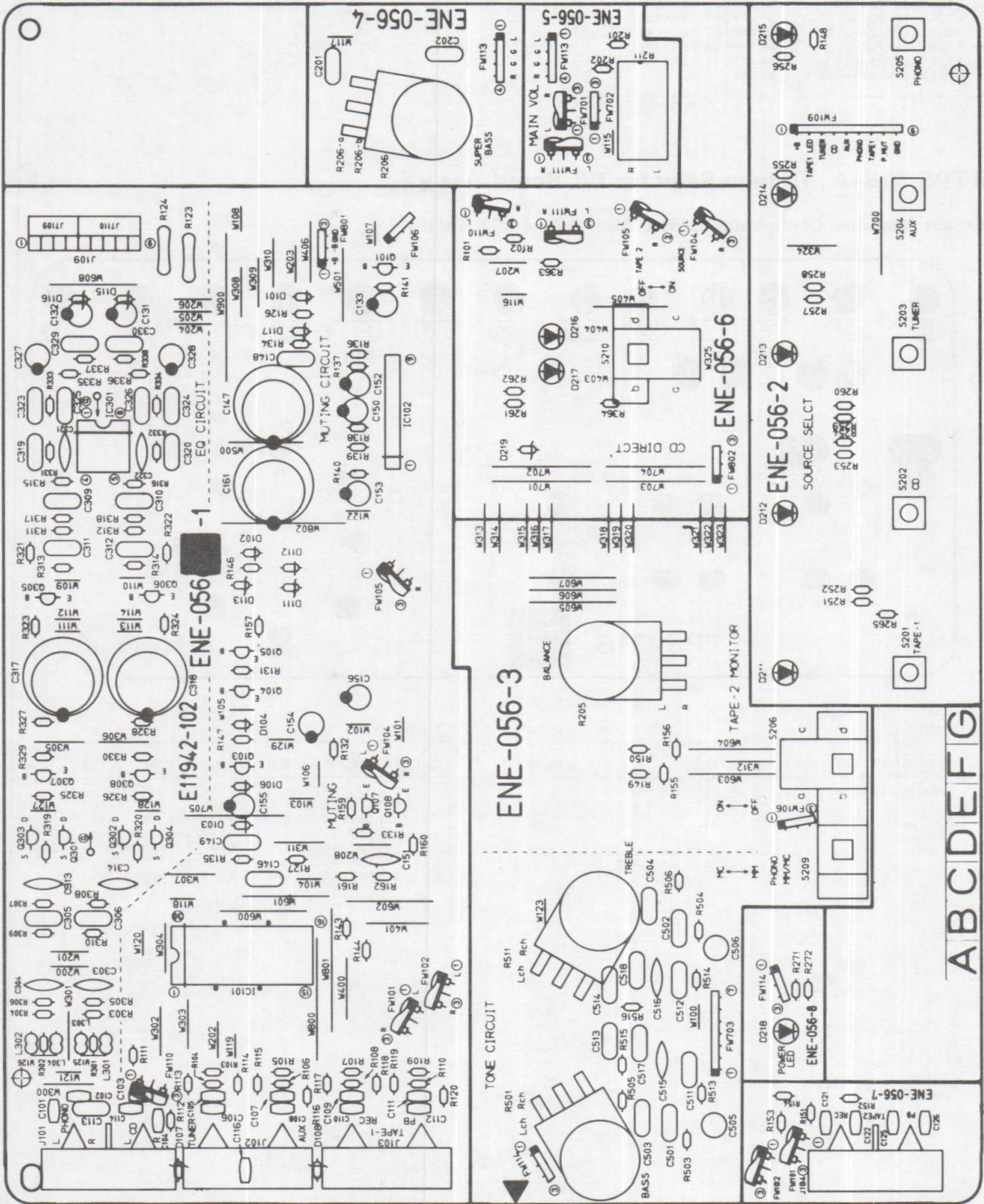
Others

△	ITEM	PART NUMBER	DESCRIPTION	AREA
		E302057-002	CIRCUIT BOARD	
		E65508-002	TAB	
		E67764-302	WRAPPING TERMINAL	
		E67764-303	WRAPPING TERMINAL	
		E67764-304	WRAPPING TERMINAL	
△		QMC0637-004	AC OUTLET	
△		QSR0085-006U	VOLTAGE SELECTOR	

△ : SAFETY PARTS

■ ENE-056 □ Source Selector PC Board Ass'y

Note: ENE-056 □ varies according to the areas employed. See note (1) when placing an order.



Note (1)

PC Board Ass'y	Designated Areas
ENE-056 A	Other Countries
ENE-056 B	Australia, Continental Europe, the U.K.
ENE-056 C	West Germany

Transistors

ITEM	PART NUMBER	DESCRIPTION	AREA	
			MAKER	
Q101	DTA144ES	SILICON	ROHM	
Q103	2SC2389(S,E)	SILICON	ROHM	
Q104	DTC144ES	SILICON	ROHM	
Q105	DTA144ES	SILICON	ROHM	
Q107	2SC3068	SILICON	SANYO	
Q108	2SC3068	SILICON	SANYO	
Q301	2SK170(BL)	F.E.T	TOSHIBA	
Q302	2SK170(BL)	F.E.T	TOSHIBA	
Q303	2SK170(BL)	F.E.T	TOSHIBA	
Q304	2SK170(BL)	F.E.T	TOSHIBA	
Q305	2SD655(E,F)	SILICON	HITACHI	
Q306	2SD655(E,F)	SILICON	HITACHI	
Q307	2SD655(E,F)	SILICON	HITACHI	
Q308	2SD655(E,F)	SILICON	HITACHI	

Δ : SAFETY PARTS

I.C.s

ITEM	PART NUMBER	DESCRIPTION	AREA	
			MAKER	
IC101	LC7818	I.C.	SANYO	
IC102	TA7317P	I.C.	TOSHIBA	
IC301	NJM4560DD	I.C.	JRC	

Δ : SAFETY PARTS

Diodes

ITEM	PART NUMBER	DESCRIPTION	AREA	
			MAKER	
D101	1SS133	SILICON	ROHM	
D102	1SS133	SILICON	ROHM	
D103	1SS133	SILICON	ROHM	
D104	1SS133	SILICON	ROHM	
D106	1SS133	SILICON	ROHM	
D107	MTZ3.3JB	ZENER	ROHM	
D108	MTZ3.3JB	ZENER	ROHM	
D111	1SS133	SILICON	ROHM	
D112	1SS133	SILICON	ROHM	
D113	MTZ5.6JC	ZENER	ROHM	
D115	MTZ13JC	ZENER	ROHM	
D116	MTZ13JC	ZENER	ROHM	
D117	MTZ6.8JC	ZENER	ROHM	
D211	SLR-331VR50F070	L.E.D.	ROHM	
D212	SLR-331DU50F070	L.E.D.	ROHM	
D213	SLR-331DU50F070	L.E.D.	ROHM	
D214	SLR-331DU50F070	L.E.D.	ROHM	
D215	SLR-331DU50F070	L.E.D.	ROHM	
D216	SLR-34YC50F165	L.E.D.	ROHM	
D217	SLR-34YC50F165	L.E.D.	ROHM	
D218	SLR-331DU70F070	L.E.D.	ROHM	
D219	MTZ5.1JC	ZENER	ROHM	

Δ : SAFETY PARTS

Capacitors

ITEM	PART NUMBER	DESCRIPTION	AREA	
			MAKER	
C101	QCBB1HK-221	220PF 50V	CERAMIC	C
C102	QCBB1HK-221	220PF 50V	CERAMIC	C
C103	QCBB1HK-471	470PF 50V	CERAMIC	C
C104	QCBB1HK-471	470PF 50V	CERAMIC	C
C105	QCBB1HK-221	220PF 50V	CERAMIC	C
C106	QCBB1HK-221	220PF 50V	CERAMIC	C
C107	QCBB1HK-221	220PF 50V	CERAMIC	C
C108	QCBB1HK-221	220PF 50V	CERAMIC	C
C109	QCBB1HK-221	220PF 50V	CERAMIC	C
C110	QCBB1HK-221	220PF 50V	CERAMIC	C

Capacitors

ITEM	PART NUMBER	DESCRIPTION	AREA
C111	QCBB1HK-221	220PF 50V CERAMIC	C
C112	QCBB1HK-221	220PF 50V CERAMIC	C
C113	QFN81HJ-103	0.01MF 50V MYLAR	
C114	QCHB1EZ-223	0.022MF 25V CERAMIC	
C121	QCBB1HK-221	220PF 50V CERAMIC	C
C122	QCBB1HK-221	220PF 50V CERAMIC	C
C125	QCBB1HK-221	220PF 50V CERAMIC	C
C126	QCBB1HK-221	220PF 50V CERAMIC	C
C131	QETB1EM-107	100MF 25V ELECTRO	
C132	QETB1EM-107	100MF 25V ELECTRO	
C133	QETB1HM-106	10MF 50V ELECTRO	
C146	QFN81HJ-562	5600PF 50V MYLAR	
C147	QETBOJM-228	2200MF 6.3V ELECTRO	
C148	QFN81HJ-562	5600PF 50V MYLAR	
C149	QFN81HK-473	0.047MF 50V MYLAR	
C150	QETB1HM-225	2.2MF 50V ELECTRO	
C152	QETB1CM-226	22MF 16V ELECTRO	
C153	QETB1HM-475	4.7MF 50V ELECTRO	
C154	QETB1CM-107	100MF 16V ELECTRO	
C155	QETB1HM-474	0.47MF 50V ELECTRO	
C156	QETB1HM-475	4.7MF 50V ELECTRO	
C201	QFV81HJ-104	0.1MF 50V T.FILM	
C202	QFV81HJ-104	0.1MF 50V T.FILM	
C303	QCS21HJ-151	150PF 50V CERAMIC	
C304	QCS21HJ-151	150PF 50V CERAMIC	
C305	QFN81HK-103	0.01MF 50V MYLAR	
C306	QFN81HK-103	0.01MF 50V MYLAR	
C309	QFN81HK-392	3900PF 50V MYLAR	
C310	QFN81HK-392	3900PF 50V MYLAR	
C311	QFN81HK-822	8200PF 50V MYLAR	
C312	QFN81HK-822	8200PF 50V MYLAR	
C313	QCS21HJ-151	150PF 50V CERAMIC	
C314	QCS21HJ-151	150PF 50V CERAMIC	
C317	QETBOJM-228	2200MF 6.3V ELECTRO	
C318	QETBOJM-228	2200MF 6.3V ELECTRO	
C319	QFN81HJ-472	4700PF 50V MYLAR	
C320	QFN81HJ-472	4700PF 50V MYLAR	
C321	QCS21HJ-331	330PF 50V CERAMIC	
C322	QCS21HJ-331	330PF 50V CERAMIC	
C323	QFN81HJ-153	0.015MF 50V MYLAR	
C324	QFN81HJ-153	0.015MF 50V MYLAR	
C325	QFN81HJ-272	2700PF 50V MYLAR	
C326	QFN81HJ-272	2700PF 50V MYLAR	
C327	EETB2AM-106E	10MF 100V ELECTRO	
C328	EETB2AM-106E	10MF 100V ELECTRO	
C329	QFN81HJ-222	2200PF 50V MYLAR	C
C330	QFN81HJ-222	2200PF 50V MYLAR	C
C501	QFN81HK-153	0.015MF 50V MYLAR	
C502	QFN81HK-153	0.015MF 50V MYLAR	
C503	QFN81HK-823	0.082MF 50V MYLAR	
C504	QFN81HK-823	0.082MF 50V MYLAR	
C505	QEN51HM-475	4.7MF 50V NON POLE	
C506	QEN51HM-475	4.7MF 50V NON POLE	
C511	QFN81HK-332	3300PF 50V MYLAR	
C512	QFN81HK-332	3300PF 50V MYLAR	
C513	QFN81HK-183	0.018MF 50V MYLAR	
C514	QFN81HK-183	0.018MF 50V MYLAR	
C515	QCS21HJ-221	220PF 50V CERAMIC	
C516	QCS21HJ-221	220PF 50V CERAMIC	
C517	QFN81HK-122	1200PF 50V MYLAR	
C518	QFN81HK-122	1200PF 50V MYLAR	

Δ : SAFETY PARTS

Resistors

ITEM	PART NUMBER	DESCRIPTION	AREA
R101	QRD167J-105	1M 1/6W CARBON	
R102	QRD167J-105	1M 1/6W CARBON	
R103	QRD167J-105	1M 1/6W CARBON	
R104	QRD167J-105	1M 1/6W CARBON	
R105	QRD167J-105	1M 1/6W CARBON	
R106	QRD167J-105	1M 1/6W CARBON	
R107	QRD167J-105	1M 1/6W CARBON	
R108	QRD167J-105	1M 1/6W CARBON	
R109	QRD167J-105	1M 1/6W CARBON	
R110	QRD167J-105	1M 1/6W CARBON	
R111	QRD167J-471	470 1/6W CARBON	
R112	QRD167J-471	470 1/6W CARBON	
R113	QRD167J-471	470 1/6W CARBON	
R114	QRD167J-471	470 1/6W CARBON	
R115	QRD167J-471	470 1/6W CARBON	
R116	QRD167J-471	470 1/6W CARBON	
R117	QRD167J-471	470 1/6W CARBON	
R118	QRD167J-471	470 1/6W CARBON	
R119	QRD167J-471	470 1/6W CARBON	
R120	QRD167J-471	470 1/6W CARBON	

Resistors

△	ITEM	PART NUMBER	DESCRIPTION		AREA
△	R123	QRZ0077-101	100	1/4W FUSIBLE	
△	R124	QRZ0077-101	100	1/4W FUSIBLE	
	R126	QRD167J-104	100K	1/6W CARBON	
	R127	QRD167J-104	100K	1/6W CARBON	
	R131	QRD167J-103	10K	1/6W CARBON	
	R132	QRD167J-103	10K	1/6W CARBON	
	R134	QRD167J-103	10K	1/6W CARBON	
	R135	QRD167J-474	470K	1/6W CARBON	
	R136	QRD167J-562	5.6K	1/6W CARBON	
	R137	QRD167J-473	47K	1/6W CARBON	
	R138	QRD167J-392	3.9K	1/6W CARBON	
	R139	QRD167J-104	100K	1/6W CARBON	
	R140	QRD167J-104	100K	1/6W CARBON	
	R141	QRD167J-223	22K	1/6W CARBON	
	R143	QRD167J-102	1K	1/6W CARBON	
	R144	QRD167J-102	1K	1/6W CARBON	
	R146	QRD167J-122	1.2K	1/6W CARBON	
	R147	QRD167J-473	47K	1/6W CARBON	
	R148	QRD167J-273	27K	1/6W CARBON	
	R149	QRD167J-471	470	1/6W CARBON	
	R150	QRD167J-471	470	1/6W CARBON	
	R151	QRD167J-105	1M	1/6W CARBON	
	R152	QRD167J-105	1M	1/6W CARBON	
	R153	QRD167J-471	470	1/6W CARBON	
	R154	QRD167J-471	470	1/6W CARBON	
	R155	QRD167J-105	1M	1/6W CARBON	
	R156	QRD167J-105	1M	1/6W CARBON	
	R157	QRD167J-102	1K	1/6W CARBON	
	R159	QRD167J-333	33K	1/6W CARBON	
	R160	QRD167J-333	33K	1/6W CARBON	
	R161	QRD167J-105	1M	1/6W CARBON	
	R162	QRD167J-105	1M	1/6W CARBON	
	R201	QRD167J-103	10K	1/6W CARBON	
	R202	QRD167J-103	10K	1/6W CARBON	
	R205	QVDBB7M-EF5B	250K	VARIABLE	
	R206	QVDBB7A-E24B	20K	VARIABLE	
	R211	QVDBA7B-AF5VA	250K	VARIABLE	
	R251	QRD167J-122	1.2K	1/6W CARBON	
	R252	QRD167J-122	1.2K	1/6W CARBON	
	R253	QRD167J-122	1.2K	1/6W CARBON	
	R254	QRD167J-122	1.2K	1/6W CARBON	
	R255	QRD167J-122	1.2K	1/6W CARBON	
	R256	QRD167J-122	1.2K	1/6W CARBON	
	R257	QRD167J-122	1.2K	1/6W CARBON	
	R258	QRD167J-122	1.2K	1/6W CARBON	
	R259	QRD167J-122	1.2K	1/6W CARBON	
	R260	QRD167J-122	1.2K	1/6W CARBON	
	R261	QRD167J-122	1.2K	1/6W CARBON	
	R262	QRD167J-112	1.1K	1/6W CARBON	
	R265	QRD167J-104	100K	1/6W CARBON	
	R271	QRD167J-132	1.3K	1/6W CARBON	
	R272	QRD167J-152	1.5K	1/6W CARBON	
	R301	QRD167J-102	1K	1/6W CARBON	C
	R302	QRD167J-102	1K	1/6W CARBON	C
	R303	QRD167J-473	47K	1/6W CARBON	
	R304	QRD167J-473	47K	1/6W CARBON	
	R305	QRD167J-471	470	1/6W CARBON	
	R306	QRD167J-471	470	1/6W CARBON	
	R307	QRD167J-5R6	5.6	1/6W CARBON	
	R308	QRD167J-5R6	5.6	1/6W CARBON	
	R309	QRD167J-101	100	1/6W CARBON	
	R310	QRD167J-101	100	1/6W CARBON	
	R311	QRD167J-562	5.6K	1/6W CARBON	
	R312	QRD167J-562	5.6K	1/6W CARBON	
	R313	QRD167J-270	27	1/6W CARBON	
	R314	QRD167J-270	27	1/6W CARBON	
	R315	QRD167J-561	560	1/6W CARBON	
	R316	QRD167J-561	560	1/6W CARBON	
	R317	QRD167J-562	5.6K	1/6W CARBON	
	R318	QRD167J-562	5.6K	1/6W CARBON	

Resistors

△	ITEM	PART NUMBER	DESCRIPTION		AREA
	R319	QRD167J-222	2.2K	1/6W CARBON	
	R320	QRD167J-222	2.2K	1/6W CARBON	
	R321	QRD167J-272	2.7K	1/6W CARBON	
	R322	QRD167J-272	2.7K	1/6W CARBON	
	R323	QRD167J-273	27K	1/6W CARBON	
	R324	QRD167J-273	27K	1/6W CARBON	
	R325	QRD167J-273	27K	1/6W CARBON	
	R326	QRD167J-273	27K	1/6W CARBON	
	R327	QRD167J-180	18	1/6W CARBON	
	R328	QRD167J-180	18	1/6W CARBON	
	R329	QRD167J-221	220	1/6W CARBON	
	R330	QRD167J-221	220	1/6W CARBON	
	R331	QRD167J-153	15K	1/6W CARBON	
	R332	QRD167J-153	15K	1/6W CARBON	
	R333	QRD167J-184	180K	1/6W CARBON	
	R334	QRD167J-184	180K	1/6W CARBON	
	R335	QRD167J-471	470	1/6W CARBON	
	R336	QRD167J-471	470	1/6W CARBON	
	R337	QRD167J-104	100K	1/6W CARBON	
	R338	QRD167J-104	100K	1/6W CARBON	
	R363	QRD167J-471	470	1/6W CARBON	
	R364	QRD167J-471	470	1/6W CARBON	
	R501	QVDBB7C-E15B	100K	VARIABLE	
	R503	QRD167J-203	20K	1/6W CARBON	
	R504	QRD167J-203	20K	1/6W CARBON	
	R505	QRD167J-362	3.6K	1/6W CARBON	
	R506	QRD167J-362	3.6K	1/6W CARBON	
	R511	QVDBB7C-E15B	100K	VARIABLE	
	R513	QRD167J-472	4.7K	1/6W CARBON	
	R514	QRD167J-472	4.7K	1/6W CARBON	
	R515	QRD167J-821	820	1/6W CARBON	
	R516	QRD167J-821	820	1/6W CARBON	

Others

△	ITEM	PART NUMBER	DESCRIPTION		AREA
		E11942-102	CIRCUIT BOARD		
		E305983-001	HOLDER		
	J101	EMN00TV-405A	4P PIN JACK		
	J102	EMN00TV-402A	4P PIN JACK		
	J103	EMN00TV-402A	4P PIN JACK		
	J104	EMN00TV-402A	4P PIN JACK		
	L301	EQL4004-220	INDUCTOR		C
	L302	EQL4004-220	INDUCTOR		C
	L303	EQL4004-220	INDUCTOR		C
	L304	EQL4004-220	INDUCTOR		C
	S201	ESP0001-018	TACT SWITCH		
	S202	ESP0001-018	TACT SWITCH		
	S203	ESP0001-018	TACT SWITCH		
	S204	ESP0001-018	TACT SWITCH		
	S205	ESP0001-018	TACT SWITCH		
	S206	QSTL251-E01	PUSH SWITCH		
	S210	QSTL101-E04	PUSH SWITCH		
	FW101	EWR23C-20NN	FLAT WIRE		
	FW102	EWR23C-20NN	FLAT WIRE		
	FW104	EWR23C-30NN	FLAT WIRE		
	FW105	EWR23C-25NN	FLAT WIRE		
	FW106	EWR33B-35SST	FLAT WIRE		
	FW109	EWR39B-20KST	FLAT WIRE		
	FW110	EWR23C-35NN	FLAT WIRE		
	FW111	EWR23C-16NN	FLAT WIRE		
	FW113	EWR34B-20SST	FLAT WIRE		
	FW114	EWR33B-13SST	FLAT WIRE		
	FW701	EWR23C-10JN	FLAT WIRE		
	FW702	EWR33B-13KST	FLAT WIRE		
	FW703	EWR37B-35KST	FLAT WIRE		
	FW801	EWR33B-10KST	FLAT WIRE		
	FW802	EWR33B-13KST	FLAT WIRE		
	JT109	EMV7122-004	CONNECTOR		
	JT110	EMV7122-005	CONNECTOR		

△ : SAFETY PARTS

Accessories List

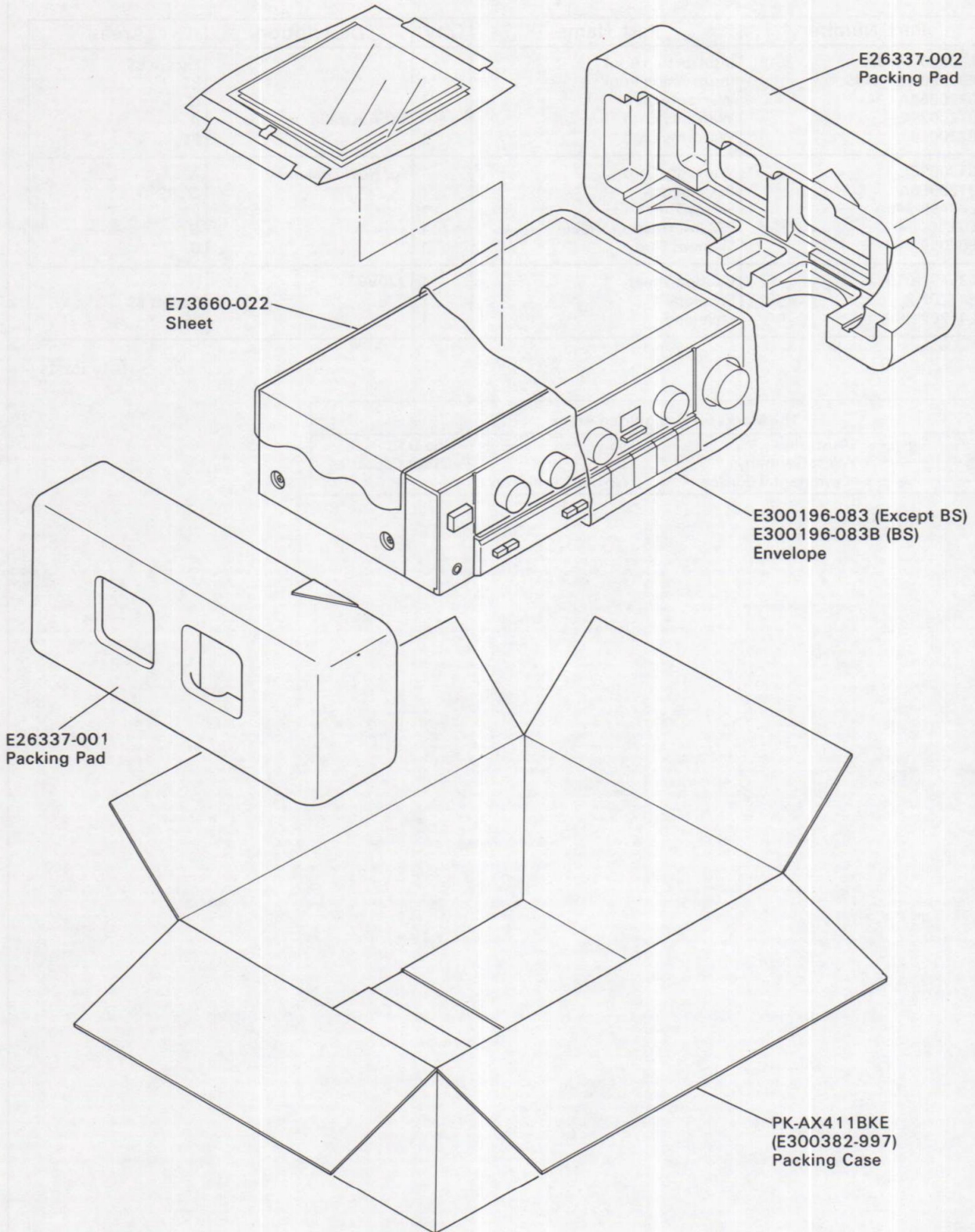
⚠	Part Number	Part Name	Q'ty	Description	Areas
	E30580-1517A E30580-1517ABS BT20064A BT20029C BT20060	Insutruction Book Insutruction Book Warranty Card Warranty Card Warranty Card	1 1 1 1 1	for Australia	Except BS BS G A BS
⚠	BT20098 BT20066A E43486-340A QZL1008-001 E04056	Warranty Card EEC Agency Safety Sheet FTZ Insutruction Sheet Siemens Plug	1 1 1 1 1	for New Zealand	A G , BS BS G U
	E35497-019 E41202-2 E41202-2B	Caution Sheet Envelope Envelope	1 1 1	220V	U Except BS BS

⚠: Safety Parts

The Marks for Designated Areas

A.....Australia	BS.....the U.K.
G.....West Germany	U.....Other Countries
E , EF.....Continental Europe	No mark Indicates all areas.

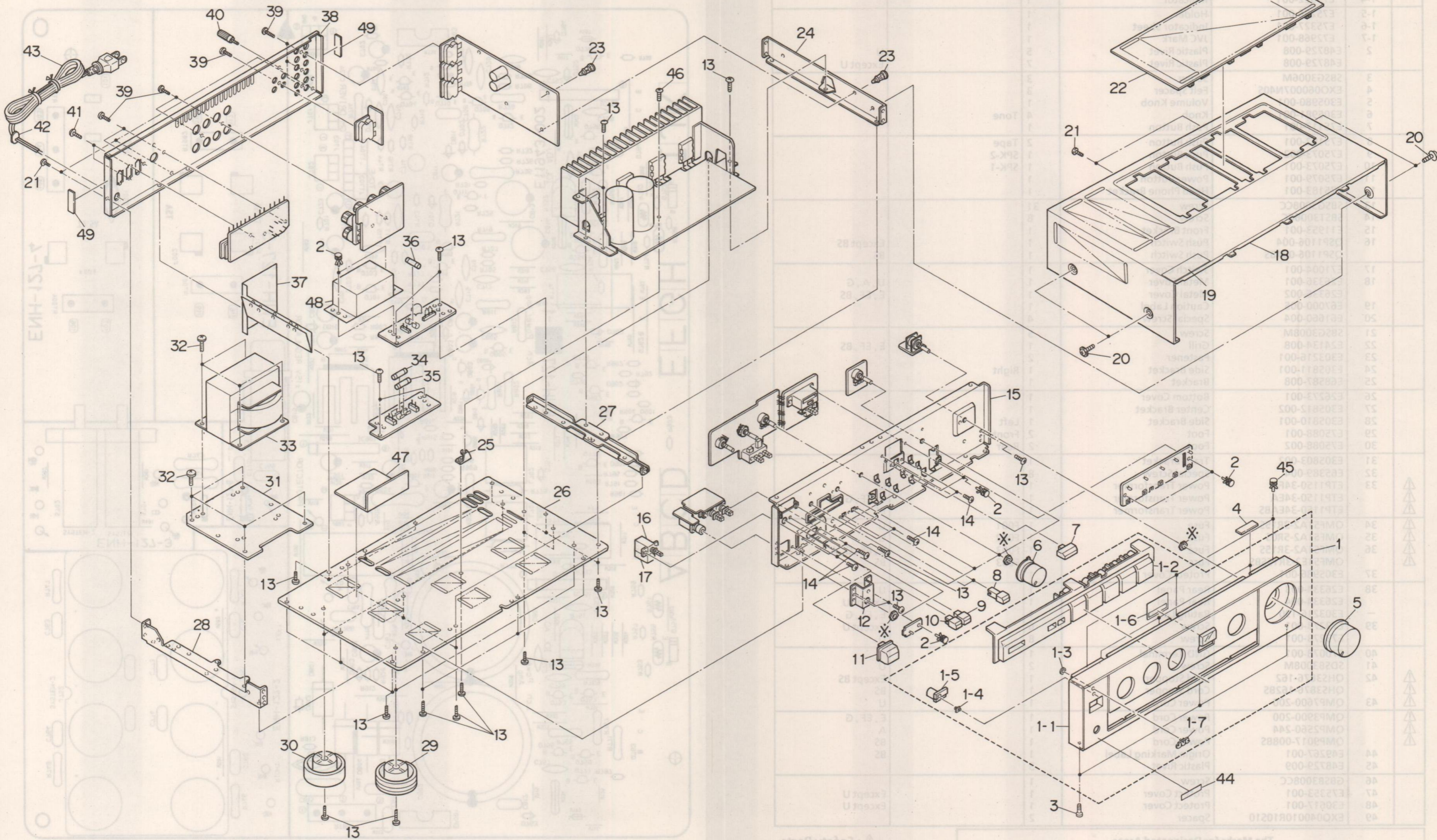
Packing Materials and Part Numbers



The Marks for Designated Areas

A.....	Australia	BS.....	the U.K.
G.....	West Germany	U.....	Other Countries
E, EF.....	Continental Europe	No mark	Indicates all areas.

Exploded View and Parts List



Item	Part Number	Part Name	Q'ty	Description	Area
1	EP-AX411BK	Front Panel Assy	1		
1-1	E2581-002	Front Panel Assy	1		
1-2	E2582-002	Front Panel Assy	1		
1-3	E2583-002	Front Panel Assy	1		
1-4	E2584-001	Support Nut	1		
1-5	E2585-001	Support Nut	1		
1-6	E2586-001	Support Nut	1		
1-7	E2587-001	Support Nut	1		
2	E4873-008	Volume Knob	1		
3	E2588-001	Volume Knob	1		
4	E2589-001	Volume Knob	1		
5	E2590-001	Volume Knob	1		
6	E2591-001	Volume Knob	1		
7	E2592-001	Volume Knob	1		
8	E2593-001	Volume Knob	1		
9	E2594-001	Volume Knob	1		
10	E2595-001	Volume Knob	1		
11	E2596-001	Volume Knob	1		
12	E2597-001	Volume Knob	1		
13	E2598-001	Volume Knob	1		
14	E2599-001	Volume Knob	1		
15	E2600-001	Volume Knob	1		
16	E2601-001	Volume Knob	1		
17	E2602-001	Volume Knob	1		
18	E2603-001	Volume Knob	1		
19	E2604-001	Volume Knob	1		
20	E2605-001	Volume Knob	1		
21	E2606-001	Volume Knob	1		
22	E2607-001	Volume Knob	1		
23	E2608-001	Volume Knob	1		
24	E2609-001	Volume Knob	1		
25	E2610-001	Volume Knob	1		
26	E2611-001	Volume Knob	1		
27	E2612-001	Volume Knob	1		
28	E2613-001	Volume Knob	1		
29	E2614-001	Volume Knob	1		
30	E2615-001	Volume Knob	1		
31	E2616-001	Volume Knob	1		
32	E2617-001	Volume Knob	1		
33	E2618-001	Volume Knob	1		
34	E2619-001	Volume Knob	1		
35	E2620-001	Volume Knob	1		
36	E2621-001	Volume Knob	1		
37	E2622-001	Volume Knob	1		
38	E2623-001	Volume Knob	1		
39	E2624-001	Volume Knob	1		
40	E2625-001	Volume Knob	1		
41	E2626-001	Volume Knob	1		
42	E2627-001	Volume Knob	1		
43	E2628-001	Volume Knob	1		
44	E2629-001	Volume Knob	1		
45	E2630-001	Volume Knob	1		
46	E2631-001	Volume Knob	1		
47	E2632-001	Volume Knob	1		
48	E2633-001	Volume Knob	1		
49	E2634-001	Volume Knob	1		

△ Safety Parts
 The Mark for Designated Areas
 * mark indicates attached part.

Item	Part Number	Part Name	Q'ty	Description	Areas
1	EFP-AX411BKE	Front Panel Ass'y	1		
1-1	E26391-002	Front Panel	1		
1-2	E26332-002	Push Button Ass'y	1		
1-3	E60912-003	Speed Nut	1		
1-4	E73522-001	Indicator	1		
1-5	E75286-001	Holder	1		
1-6	E75327-001	Indicator Sheet	1		
1-7	E72968-001	JVC Mark	1		
2	E48729-008	Plastic Rivet	5		U
	E48729-008	Plastic Rivet	7		Except U
3	SBSG3006M	Screw	3		
4	EXO060007N40S	Felt Spacer	3		
5	E305980-001	Volume Knob	1		
6	E305981-001	Knob	4	Tone	
7	E75117-001	Push Button	1		
8	E75182-001	Push Button	2	Tape	
9	E75073-002	Push Button	1	SPK-2	
10	E75073-001	Push Button	1	SPK-1	
11	E75079-001	Power Button	1		
12	E75183-001	Head Phone Bracket	1		
13	SBSG3008CC	Screw	31		
14	SBST3006CC	Screw	8		
15	E11953-001	Front Bracket	1		Except BS
16	QSP1106-004	Push Switch	1		BS
	QSP1106-004BS	Push Switch	1		
17	E71004-001	Switch Cover	1		
18	E26336-001	Metal Cover	1		U, A, G
	E26336-002	Metal Cover	1		E, EF, BS
19	E67000-005	Caution Label	1		
20	E61660-004	Special Screw	4		
21	SBSG3008M	Screw	5		
22	E24134-008	Grill	1		E, EF, BS
23	E303216-001	Fastener	2		
24	E305811-001	Side Bracket	1	Right	
25	E68587-008	Bracket	1		
26	E26273-001	Bottom Cover	1		
27	E305812-002	Center Bracket	1		
28	E305810-001	Side Bracket	1	Left	
29	E75088-001	Foot	2	Front	
30	E75088-002	Foot	2	Rear	
31	E305803-002	Trans Bracket	1		
32	E65389-004	Special Screw	8		
33	ETP1150-34FA	Power Transformer	1		U
	ETP1150-34EA	Power Transformer	1		E, EF, G, A
	ETP1150-34EABS	Power Transformer	1		BS
34	QMF51A2-3R15S	Fuse	1	F001	U
35	QMF51A2-5R0S	Fuse	1	F002	U
36	QMF51A2-3R15S	Fuse	1	F003	E, EF, G, A
	QMF51E2-3R15SBS	Fuse	1	F003	BS
37	E305986-001	Protect Cover	1		
38	E26334-003	Rear Panel	1		U
	E26334-004	Rear Panel	1		Except U
-	E303216-190	Rating Label	1		E, EF, G
39	E73273-001	Screw	6		Except U
	E73273-001	Screw	8		U
40	E70078-001	GND.Terminal	1		
41	SDSB3008M	Screw	2		U
42	QHS3876-162	Cord Stopper	1		Except BS
	QHS3876-162BS	Cord Stopper	1		BS
43	QMP7600-200	Power Cord	1		U
	QMP3900-200	Power Cord	1		E, EF, G
	QMP2560-244	Power Cord	1		A
	QMP9017-008BS	Power Cord	1		BS
44	E49267-001	Origin Marking Label	1		
45	E48729-009	Plastic Rivet	3		BS
46	GBSB3008CC	Screw	1		
47	E75353-001	Protect Cover	1		Except U
48	E30617-001	Protect Cover	1		Except U
49	EXO040010R10S10	Spacer	2		

The Marks for Designated Areas

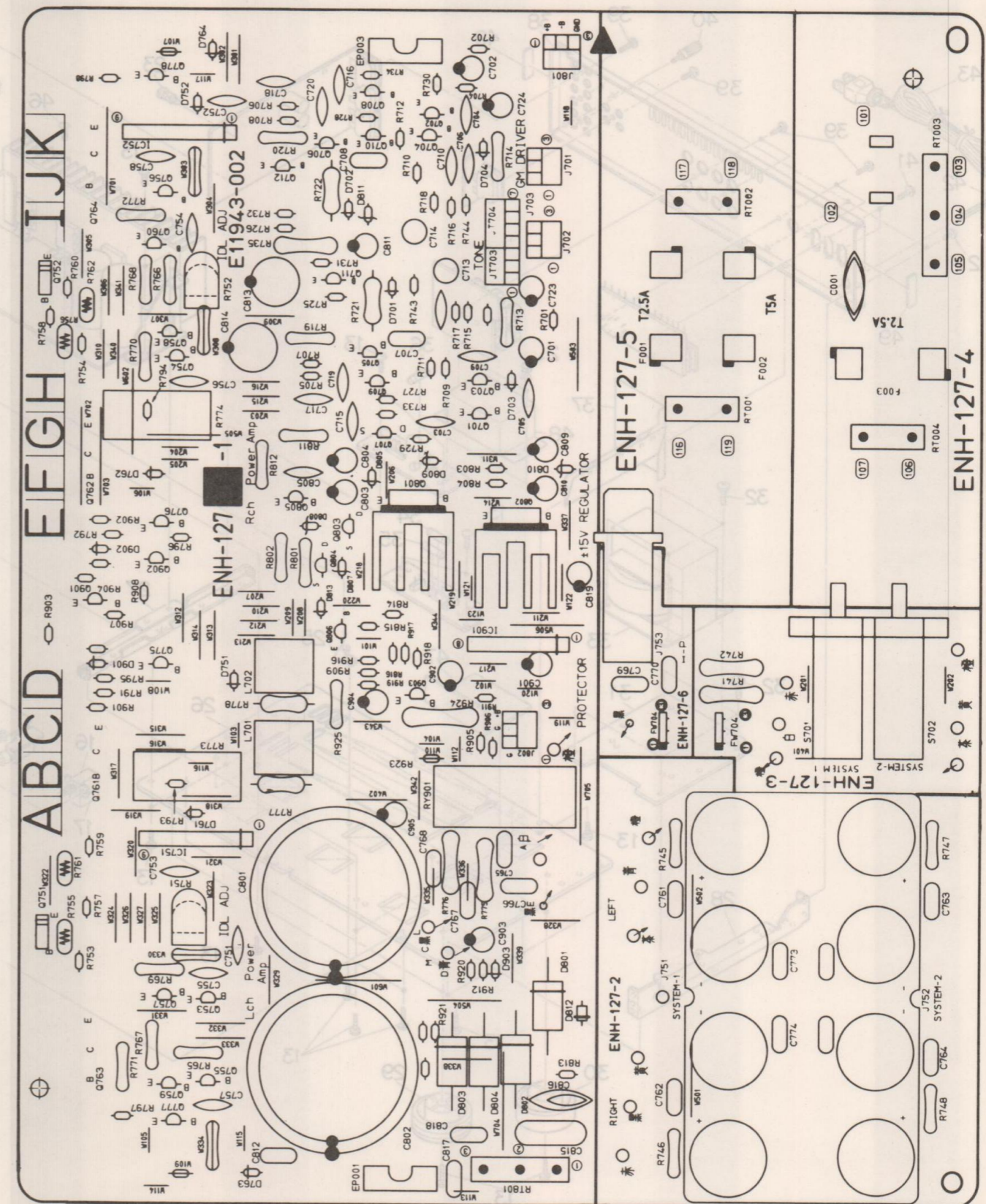
A.....	Australia	BS.....	the U.K.
G.....	West Germany	U.....	Other Countries
E, EF.....	Continental Europe	No mark	Indicates all areas.

⚠: Safety Parts

Printed Circuit Board Ass'y and Parts List

■ ENH-127 □ Main Amplifier PC Board Ass'y

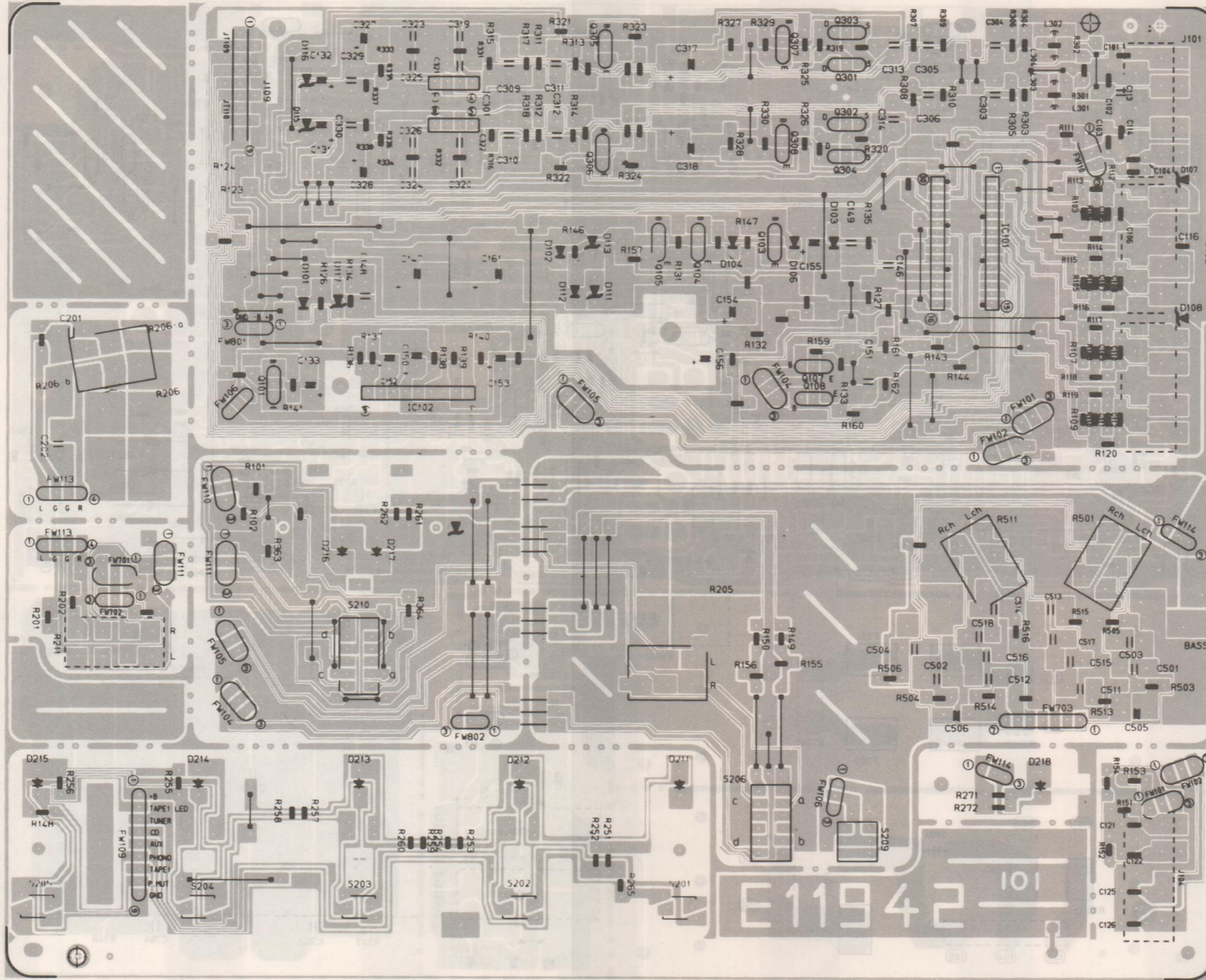
Note: ENH-127 □ varies according to the areas employed. See note (1) when placing an order.



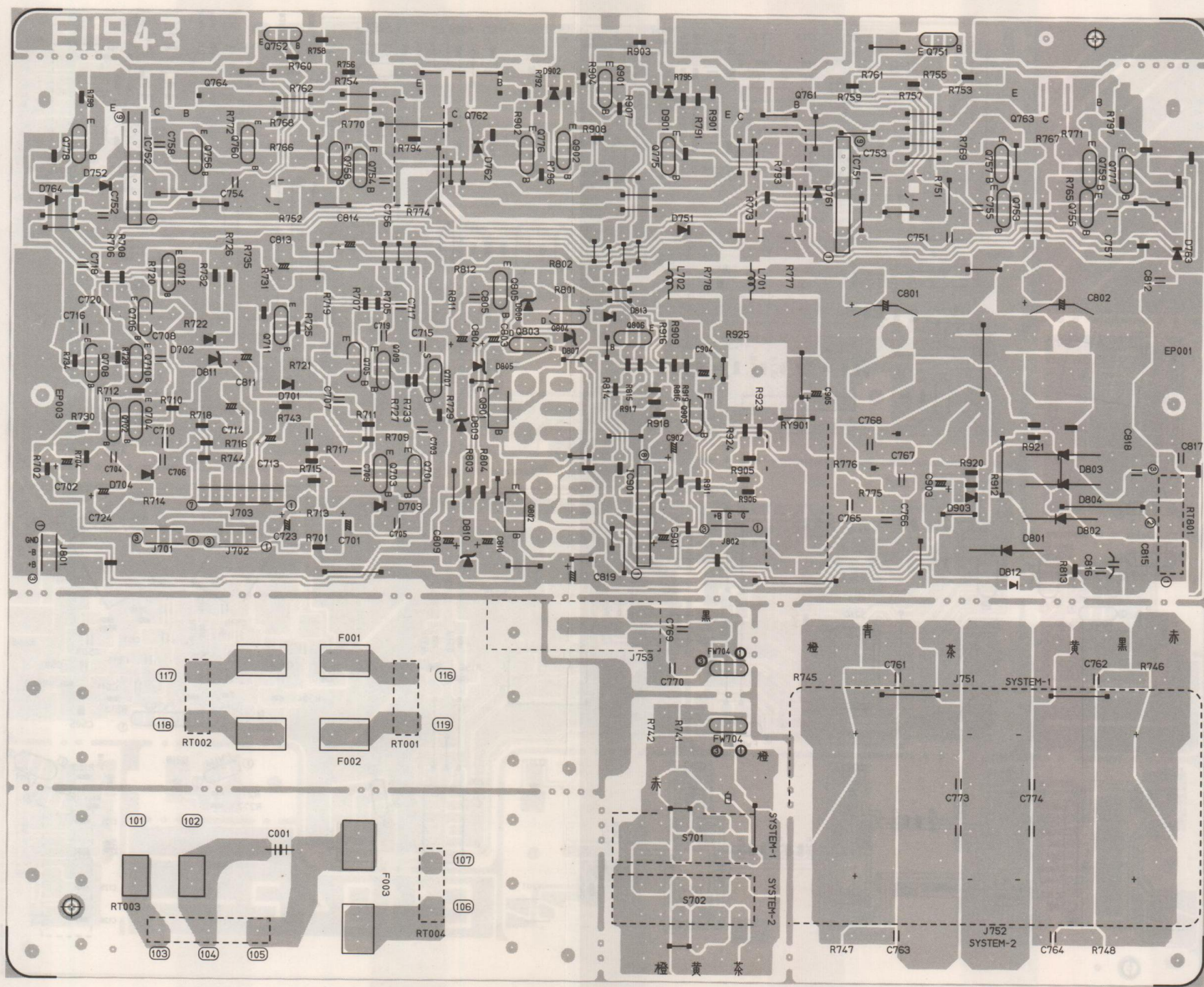
Printed Circuit Boards

■ Source Select PC Board (ENE-056)

■ Main Amplifier PC Board (ENE-127)



■ Main Amplifier PC Board (ENH-127)

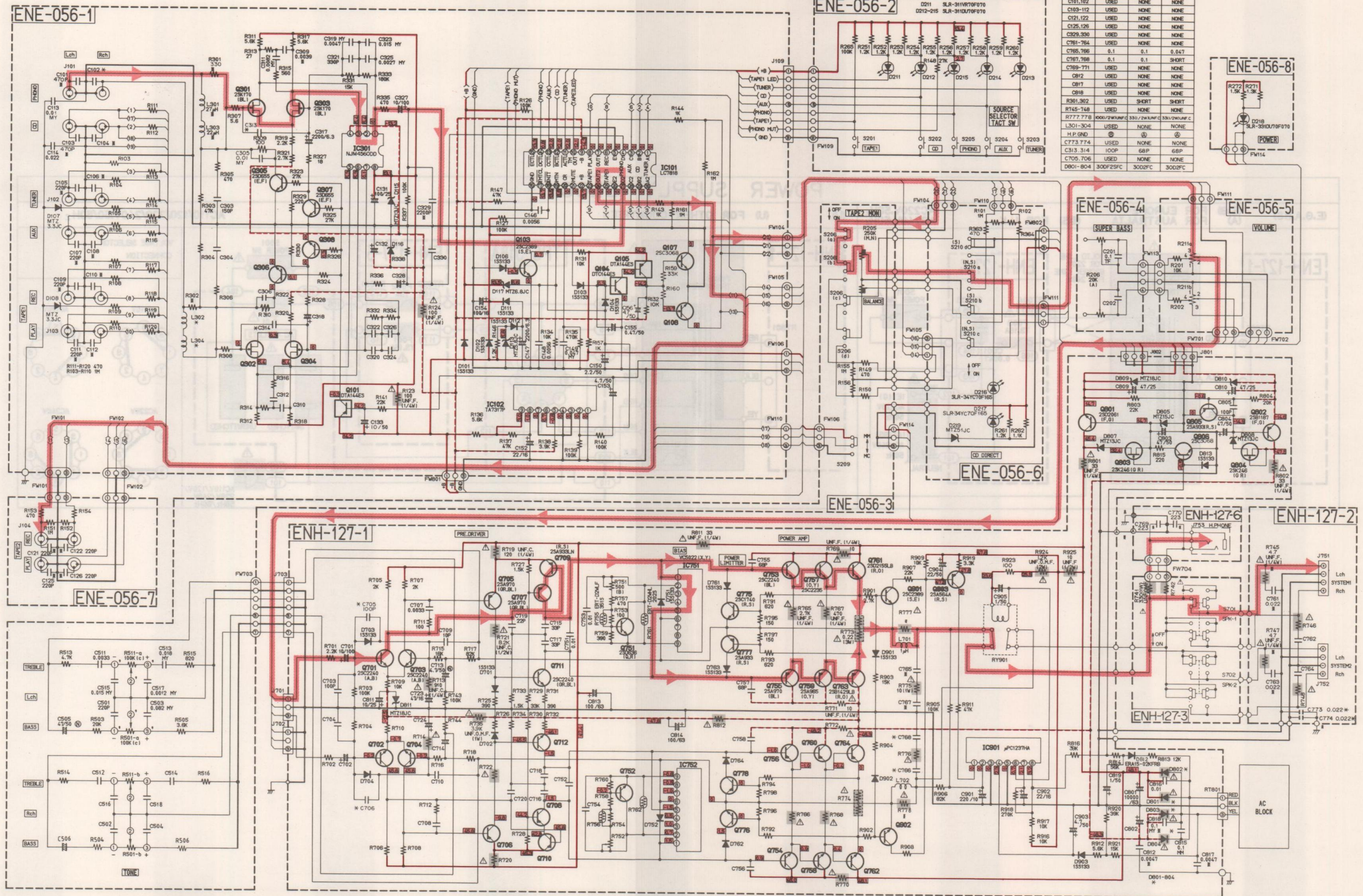


Schematic Diagrams

(1) Source Select and Main Amplifier Section

Notes:

1. — indicates + B power supply.
2. - - - indicates - B power supply.
3. - - - - indicates signal path.
4. ■ shows DC voltage to the chassis with no signal input.
5. When replacing the parts in the darkened are (■) and those marked with △, be sure to use the designated parts to ensure safety.
6. This is the standard circuit diagram. The design and contents are subject to change without notice.



AREA	101 GERMANY	102 JAPAN	103 EUROPE	104 OTHER AREAS
C101,102	USED	NONE	NONE	NONE
C103-112	USED	NONE	NONE	NONE
C121,122	USED	NONE	NONE	NONE
C125,126	USED	NONE	NONE	NONE
C329,330	USED	NONE	NONE	NONE
C761-764	USED	NONE	NONE	NONE
C765,766	0.1	0.1	0.047	
C767,768	0.1	0.1	SHORT	
C769-771	USED	NONE	NONE	NONE
C812	USED	NONE	NONE	NONE
C817	USED	NONE	NONE	NONE
C818	USED	NONE	NONE	NONE
R301,302	USED	NONE	NONE	NONE
R745-748	USED	SHORT	SHORT	
R777,778	0.001/2W/100V/C	0.001/2W/100V/C	0.001/2W/100V/C	
L301-304	USED	NONE	NONE	NONE
H.P. GND	⊕	⊕	⊕	⊕
C773,774	USED	NONE	NONE	NONE
C313,314	100P	68P	68P	
C705,706	USED	NONE	NONE	NONE
D801-804	300F/25V	300F/25V	300F/25V	

(2) Power Supply Section

